



eSELECT M SERIES CONTROLLERS

OVERVIEW

The eSelect M1 series is a family of controllers with one channel measure plus temperature. Measure options are conductivity, pH, Rx and free chlorine. Using the optional internet connection kit, the eSelect can be operated via tablet, iPad or PC, allowing you remote functionality, avoiding the need for call-outs.

M1 – Single channel (pH, Rx or chlorine)

M2 – Double channel (pH/Rx, Rx/Chlorine or Chlorine/Ph)

M3 – Triple channel (pH/Rx/Cl)



TECHNICAL FEATURES

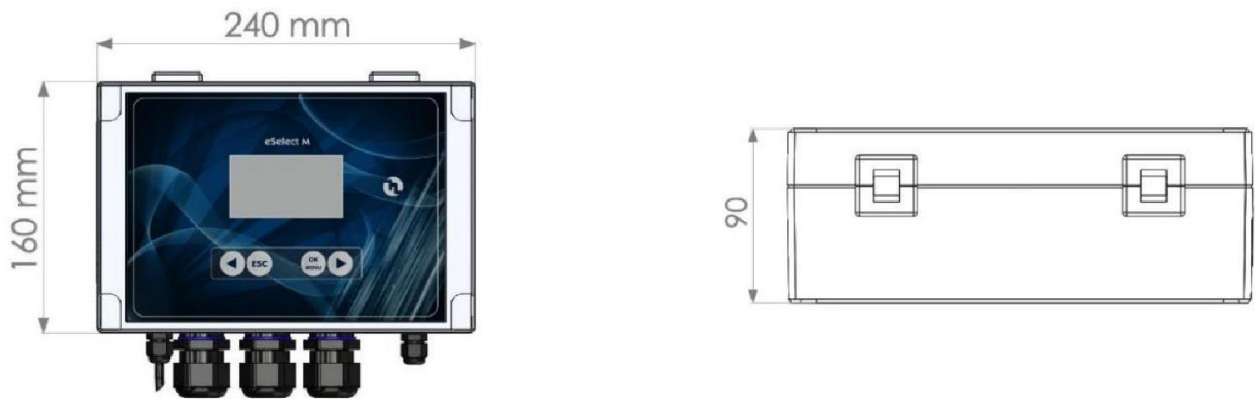
Measures:	pH or redox (programmable from the user) Chlorine (PPM) conductivity and temperature
Range:	pH 0-14, redox (mV) -1000to +1400, chlorine (PPM) 0-2, 0-10, 0-200, temperature (°C) 0-100, conductivity 0-20mS
Display:	Graphic backlit 128 x 64
Relay:	5A – 230v, free contact
Delay:	Programmable with setpoint value to close or open the relay contact
Outputs:	2 x 4-20mA, signals programmable from the user 500Ohm max load impedance, with galvanic separation
Power supply:	100-230V at 50/60Hz, 6 watts
RS485/Ethernet:	Modbus protocol with Etacloud software for remote control via PC, smartphone or tablet
Casing:	120 x 200 x 90, 5 in ABS, IP65, optional DIN mount 43700 (96 x 96 x 126mm)
Alarm:	MAX and MIN alarm, overdosing alarm, NO or NC relay



Timer:

Built in timer manages start/stop of controller

DIMENSIONS



eSelect M1 CD	eSelect M1 CD 100/240V & eSelect M1 CD 12/24V
eSelect M1 CD	eSelect M1 CI 100/240V & eSelect CI 12/24V
eSelect M1 CI	eSelect M1 CI 100/240V & eSelect M1 12/24V
eSelect M1 pH/Rx	eSelect M1 pH/Rx 100/24V & eSelectM2 pH-Rx 12/24V
eSelect M2 pH-Rx	eSelect M2 pH-Rx 100/24V & eSelectM2 pH-Rx 12/24V
eSelect M2 pH-Rx - CI	eSelect M2 pH-Rx - CI 100/240V & eSelectM2 Rx-CI 12/24V
eSelect M2 pH-Rx - CD	eSelect M2 pH-Rx - CI100/240V & eSelect M2 pH/Rx - CD 12/24V
eSelect M3 pH-Rx-CI	eSelect M3 pH-Rx-CI 100/240V & eSelect pH/Rx - CI 12/24V