



TWINPOOL DOSING PUMP

OVERVIEW

The TwinPool is a dual dosing pump with peristaltic and solenoid build options. It is excellent for any dosing application involving pH correction and oxidiser dosing. As such it is well suited to swimming pools (including domestic pools) and light commercial applications.

The broad range of measurement options include pH – Rx and pH – pH.



TECHNICAL FEATURES

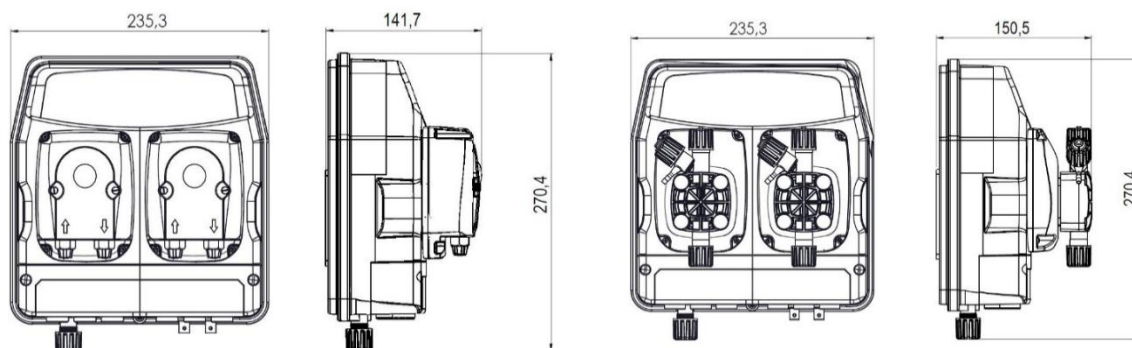
| | Peristaltic | Solenoid |
|---------------------|--------------------------------|----------|
| Flow rate | 1.5 - 3 l/h | 5 l/h |
| Max pressure | 1 - 3 Bar | 5 Bar |
| Pump head | Santoprene | PVDF |
| | Shared Features | |
| Power supply | 230 VAC (50/60Hz) | |
| Measures | pH-Rx (mV), pH-Cl (ppm), pH-pH | |

CONTROL OPTIONS

- pH: 0-14
- Rx: 0-1000 mV
- 4-20 mA signal output
- Manual 0-100% control
- Flow sensor
- Level alarm
- Overdosing alarm
- Min/Max alarms



DIMENSIONS



PRODUCT CODES

| Code | Type | Measure | Flow Rate (l/h) | Pressure (Bar) | Material |
|------------|-------------|---------|-----------------|----------------|------------|
| CXB8000101 | Peristaltic | pH-Rx | 1.5 | 1.5 | Santoprene |
| CXB8001101 | Peristaltic | pH-Rx | 3 | 1.5 | Santoprene |
| CXB8010101 | Solenoid | pH-Rx | 2 | 6 | FPM |
| CXB8011101 | Solenoid | pH-Rx | 5 | 5 | FPM |