



PKX SOLENOID DOSING PUMP

OVERVIEW

The PKX metering pumps series are an ideal solution for small dosing with an exceptional price/quality ratio; the mounting bracket



Foot Mount



Wall Mount

TECHNICAL FEATURES

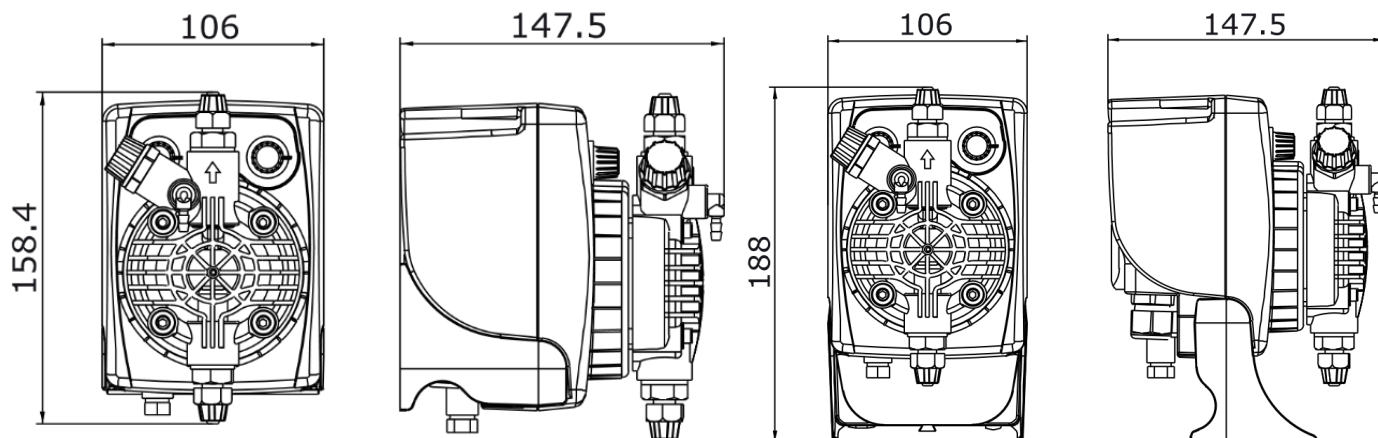
Flow rate:	1-10 l/h
Maximum pressure:	5 Bar
Power supply:	230V standard, 120V, 12VDC, 24VAC, 24VDC
Stroke rate:	120 impulses per minute maximum
Pump head:	PP with lip or ceramic ball valves. Autobleed options available
Diaphragm:	PTFE
Mounting:	Supplied with bracket for wall or foot mounting
Installation kit:	PP or PVDF injection valve, foot filter, 2m each of suction/discharge tubing, screws and plugs for wall mounting.

MODELS

MA/A	Analogue manual dosing (0-100%), optional level alarm, available with optional removable power cable
FT/A	Proportional dosing: Volumetric proportional (1 injection per impulse), volumetric timer (0-60 seconds timed dosing per impulse), level alarm.



DIMENSIONS



PUMP SPECS

Model	Flow rate (l/h)	Max pressure (Bar)	Injection volume (cc)	Max injection frequency (imp/min)	Tubing (IDxOD mm)	Power supply
01-05	1	5	0.14	120	4x6	230V, 50/60Hz
02-06	2	6	0.28	120	4x6	230V, 50/60Hz
05-05	5	5	0.69	120	4x6	230V, 50/60Hz
07-02	7	2	0.97	120	4x6	230V, 50/60Hz
10-01	10	1	1.39	120	4x6	230V, 50/60Hz