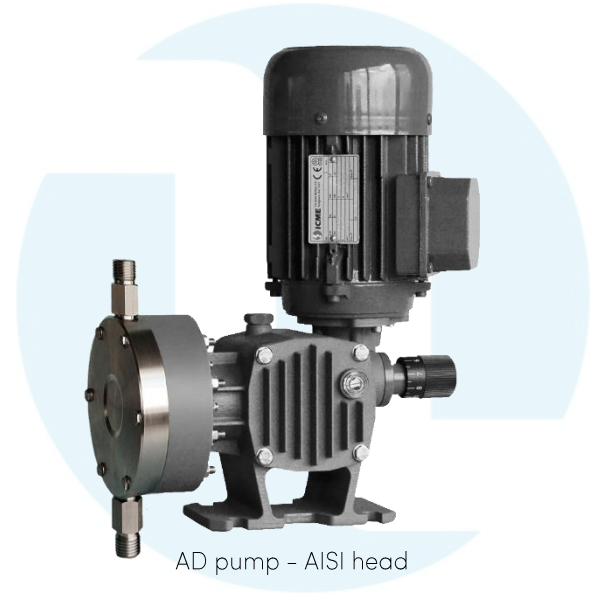




MOTOR DRIVEN DIAPHRAGM PUMPS

DIAPHRAGM PUMP TECHNICAL FEATURES

Flow rate:	10-535 l/h
Maximum pressure:	14 Bar
Stroke rate:	60-120 imp/min
Pump head:	PP, PVC, PVDF, AISI
Seals:	NBR, FPM, EPDM
Diaphragm:	PTFE
Control methods:	Manual stroke length adjustment, optional 4-20mA control (select models only)
Motor options:	Single (110 or 230V) or three phase (230-400V) power supplies, self-ventilated for inverter control, ATEX rated (zone 1 – gas or zone 21 – dust), available with or without motor
Valve sizes:	½" or 1" GM



AD pump - AISI head

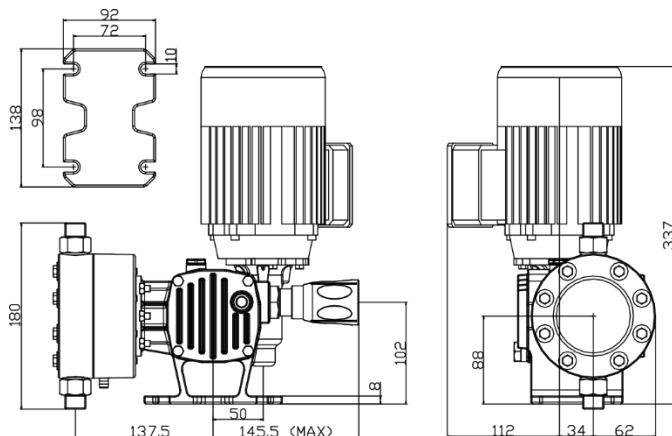
AD RANGE

Smaller, compact diaphragm motor pumps
 Flow rates up to 123 l/h
 Pressure up to 14 Bar
 Pump heads in AISI, PP or PVDF
 ½" GM valves

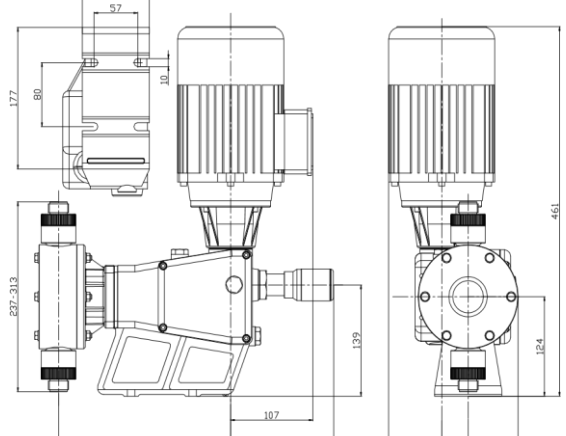
BD RANGE

Larger diaphragm motor pumps
 Flow rates up to 535 l/h
 Pressure up to 12 Bar
 Pump heads in AISI, PVC or PVDF
 ¾" or 1" GM valves

AD Pump dimensions (with PP head)



BD Pump dimensions (with PVC head)



The information within this document may be subject to change without prior notice.



MOTOR DRIVEN PISTON PUMPS

PISTON PUMP TECHNICAL FEATURES

Flow rate:	6-1027 l/h
Maximum pressure:	25 Bar
Stroke rate:	60-120 imp/min
Pump head:	PVC, PVDF, AISI
Seals:	NBR, FPM, EPDM
Piston:	AISI 316L or Ceramic
Control methods:	Manual stroke length adjustment, optional 4-20mA control (select models only)
Motor options:	Single (110 or 230V) or three phase (230-400V) power supplies, self-ventilated for inverter.
Valve sizes:	½" or 1 ½" GM



AP pump - AISI head

AP RANGE

Smaller, compact piston motor pumps

Flow rates up to 190 l/h

Pressure up to 20 Bar

Pump heads in AISI, PVC or PVDF

½" or ¾" GM valves

BP RANGE

Larger piston motor pumps

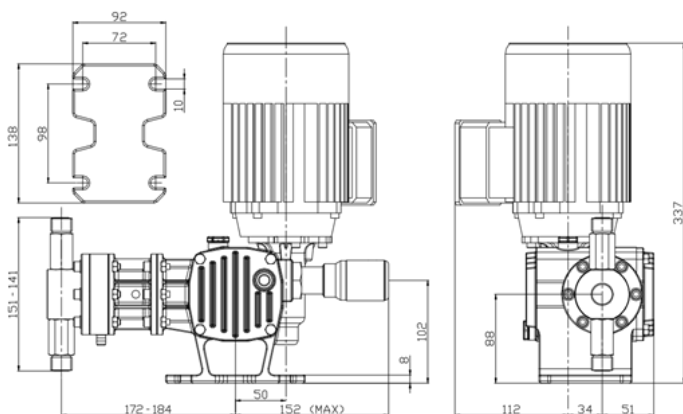
Flow rates up to 1027 l/h

Pressure up to 25 Bar

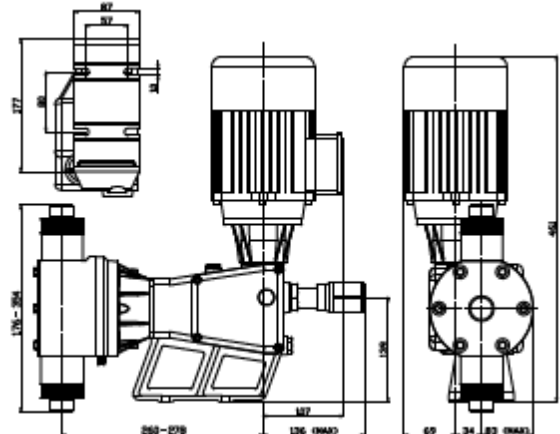
Pump heads in AISI, PVC or PVDF

½" to 1 ½" GM valves

AP Pump dimensions (with AISI head)



BP Pump dimensions (with PVC head)



The information within this document may be subject to change without prior notice.

Etatron GB Ltd

Etatron GB Ltd, Newlin Business Park, Exchange Road, Lincoln LN6 3AB

Phone: +44 (0)1522 852397

e-mail: sales@etatron.co.uk – web: www.etatron.co.uk