



F SERIES PERISTALTIC DOSING PUMP

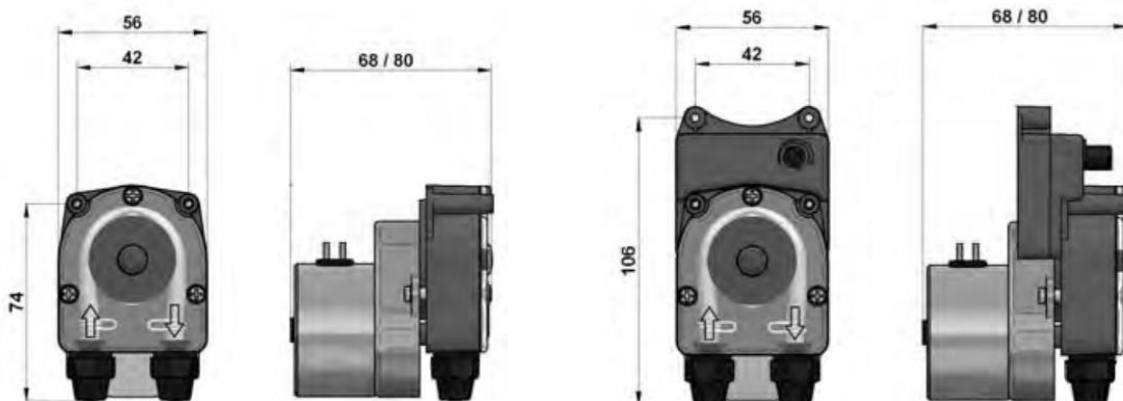
The F Series of Peristaltic Pumps feature flow rates from 0.5 L/H to 6 L/H. With the F model operating at a constant flow rate and the F-T model featuring timer



Technical Features

Flow Rate:	From 0.5 – 6 l/h
Maximum Pressure:	1 Bar
Power Supply:	230V standard, 120VDC, 24VAC, 24VDC
Tubing:	Santoprene or Silicon
Mounting:	Wall mounted. Removable gearbox/motor for panel mounting
Accessory Kit:	Available with additional accessory kits (includes injection valve, foot filter, suction and discharge hose)

Dimensions





Flow rate / operating pressures

Model	Flow Rate (l/h)	Max Pressure (Bar)	Power Supply	RPM	Dimensions (mm)		
					Height	Width	Depth
0001	0.5	1	230V, 50/60Hz	10	81	56	68
0101	1.1	1	230V, 50/60Hz	20	81	56	68
			240V, 50/60Hz				
			110V, 50/60Hz				
			24V, 50/60Hz				
			24VDC	22	81	56	80
			12VDC	21			
0201	2.2	1	230V, 50/60Hz	48	81	56	68
			240V, 50/60Hz				
			110V, 50/60Hz				
			24V, 50/60Hz				
			12/24VDC	50	81	56	80
0301	3.3	1	230V, 50/60Hz	60	81	56	80
0601	6	1	12/24VDC	108	81	56	87