

ELIGERE 03

Measure and control instruments

Eligere 03 is a controller with 3 channel measure (+ temperature). The wide graphic display and the user-friendly navigation make it a very simple product for the end-user. Predisposed for EtaCloud connection, thanks to the "Connection Kit" (not included with the controller) the Eligere 03 can be managed in a remote way.

GENERAL FEATURES

- Backlighted graphic display 128x64 pixel.
- Four control keys for instrument calibration and configuration.
- Universal Power Supply 100-240 Vac (50/60 Hz) - 5W - or 12-24 Vac/Vdc.
- Temperature measurement with PT100 probe with automatic or manual temperature compensation.
- 4 independent relays: programmable with 2 setpoints on first measure, 1 setpoint on second measure, 1 setpoint on third measure; direct-reverse (acid-alkaline) dosage; ON/OFF and proportional mode (PWM).
- Relay for MIN and MAX alarm.
- 3 relays connected to timer function.
- pH, Rx (mV), Free Chlorine (ppm) or Total Chlorine (ppm) or conductivity (+ temperature) measures.
- Standard version: pH-Rx-Cl
- Measure of Chlorine with ion-selective membrane or amperometric cell Pt-Cu.
- Overdosing alarm (excessive dosing time).
- Integral timer for start/stop of the instrument.
- 3 level probe inputs and flow sensor input.
- Case (229x204x118, ABS, IP65) for wall mounting.



ETA CLOUD

The EtaCloud software supports remote control of all the operating and programming parameters of the Eligere. The user, via smartphone, tablet or PC, can perform all monitoring and control operations from the device connected to the Internet, exactly as if he is facing the controller. The software sends - via email - alarms and status changes to the operator, thus enabling remote technical service. The connection with EtaCloud takes place thanks to the Connectivity Kit (not included with the instrument), which allows connection via Ethernet cable or Wi-Fi.

TECHNICAL FEATURES

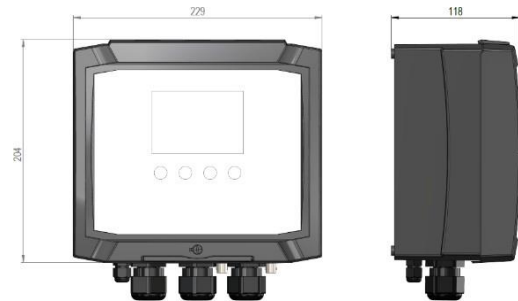
Functions	Measure range	Relay	Hystheresis	Delay	Outputs
pH o Redox (selectable by user), Chlorine (ppm), Conductivity, Temperature	pH 0...14	5 A - 230 V, free contact	Programmable on setpoint value	Programmable with setpoint value to close or open the relay contact	n.3 4-20 mA outputs programmable by the user; 500 ohm maximum load impedence, with galvanic separation
	Rx (mV) -1000 +1400				
	Cl (Ppm) 0-2 / 0-5 / 0-10 / 0-20 / 0-200 / 0-2000 / 0-20000				
	Temperature 0...100 °C (or °F)				
	Conductivity 0...200mS				

CODES

Code	Description
CXB5145101	Eligere 03 pH-Rx-Cl 100-240V
CXB5145201	Eligere 03 pH-Rx-Cl 12-24V

Code	Description
KST1000101	Connectivity kit

DIMENSIONS



ELIGERE SERIES

Measures and control instruments