



BH3-V PERISTALTIC DOSING PUMPS

OVERVIEW

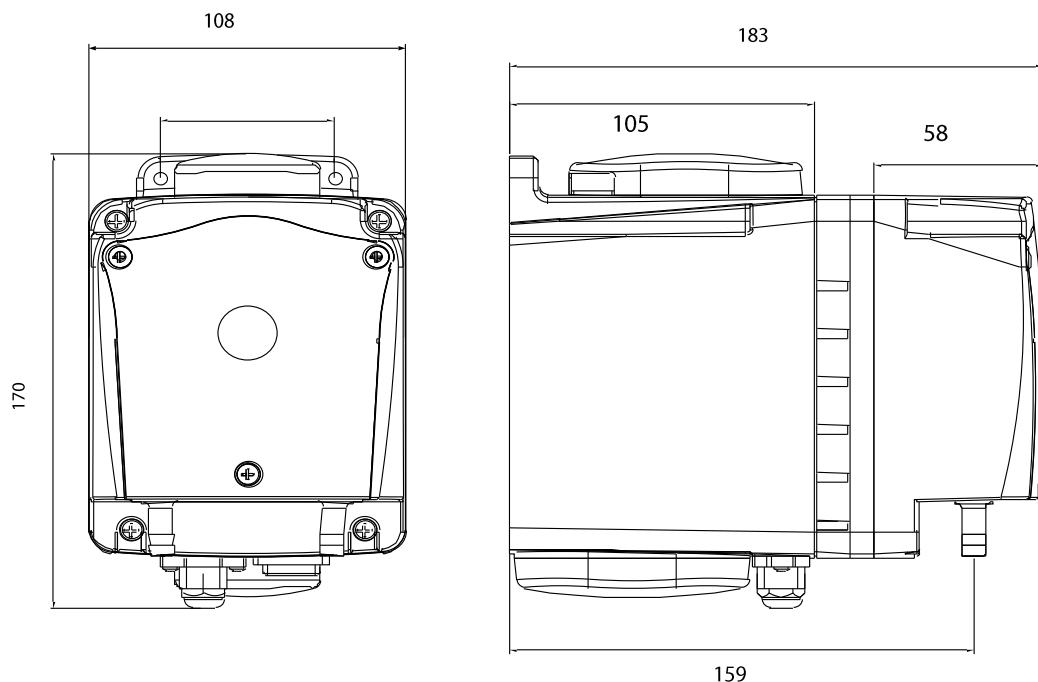
The B series are a range of peristaltic pumps fixed and variable flow rates designed for discontinuous use. Both the B Series and BH Series are perfect for smaller dosing systems that require small amounts of chemical addition in short periods of time.

TECHNICAL FEATURES

Flow rate:	100 l/h max
Maximum Pressure:	1.5 Bar
Power Supply:	90-260V standard
Tubing:	Available in Santoprene, Silicone, Norprene or Tygon
Flow rate adjustment:	10-100%
Accessories:	Supplied with metre suction/discharge tubing (injection valve or foot filter not included)



DIMENSIONS (in mm)





TECHNICAL FEATURES

Version	Flow Rate	Pressure	Net Weight	Absorbed Power	Rotation Speed	Tube Size	Dimensions
1000	100 l/h	1.5 bar	1.5Kg	25 Watt	150 RPM	9.6mm x 15.9mm	170mm x 108 mm x 183mm