



B3-V PERISTALTIC DOSING PUMP

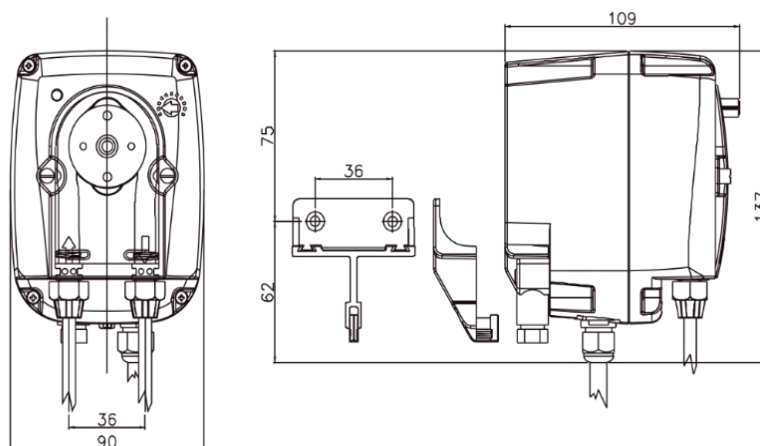
The B series are a range of peristaltic pumps fixed and variable flow rates designed for discontinuous use. Both the B Series and BH Series are perfect for smaller dosing systems that require small amounts of chemical addition in short periods of time.



Technical Features

Flow rate:	Up to 12 l/h
Maximum pressure:	3 Bar
Power supply:	90–260V standard. Available with optional removable power cord
Tubing:	Available in Santoprene, Silicone, Norprene or Tygon
Flow rate adjustment:	10–100%
Level control:	Optional (level probe not supplied)

Dimensions (in mm)





Accessory Kits

- Standard kit, includes:
- PVC/FPM Injection Valve
 - PP/FPM Foot Filter
 - 2m each of PVC Suction and LDPE Discharge Tubing
- Brightener kit, includes:
- Nickel Plated Brass/FPM Injection Valves
 - SS Foot Filter
 - 2m each of PVC Suction and LDPE Discharge Tubing
- Detergent kit, includes:
- PP/EPDM Injection Valve
 - SS Foot Filter
 - 2m each of PVC Suction and LDPE Discharge Tubing

Models

- 0103 – 1 l/h 3 bar
- 0403 – 4 l/h 3 bar
- 1201 – 12 l/h 1 bar