



AUTOMATIC AIR-BLEED PUMP HEAD

OVERVIEW

The Etatron Automatic Air-Bleed Pump Head automatically bleeds off gas generated from gaseous liquids. This head reduces the scope of the apparatus by 10%-20% compared to a manual pump head.



TECHNICAL FEATURES

Minimum flow rate:	eOne: 1-15 l/h DLX: 5-15 l/h
Maximum flow rate:	15 l/h
Maximum pressure:	10 bar
Connections:	4/6 & 6/8 (for eOne pump) 4/6 (for DLX, BT & PKX pumps)
Body:	PVDF
Seals:	FPM, TFE/P, EPDM
Valves:	Ceramic Balls

PRODUCT CODES

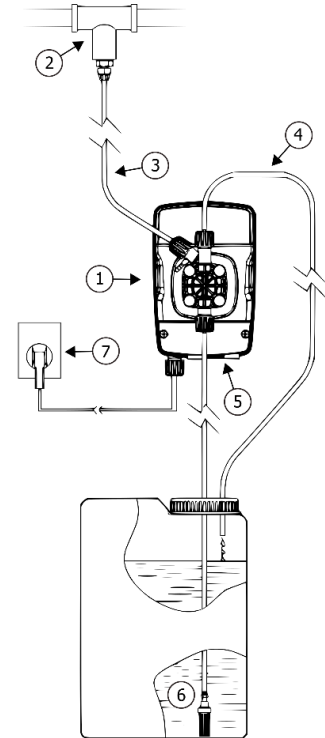
Model				
SCP8	PVDF pump head			
	Type			
	01	Automatic air bleed		
		Dosing Pump		
		54	For eOne pumps	
		68	For DLX, DLXB, PKX and BT pumps	
			Seals	
			51	FPM
			61	EPDM
			71	TFE/P
SCP8	01	54	71	PVDF automatic air bleed pump head for eOne pumps



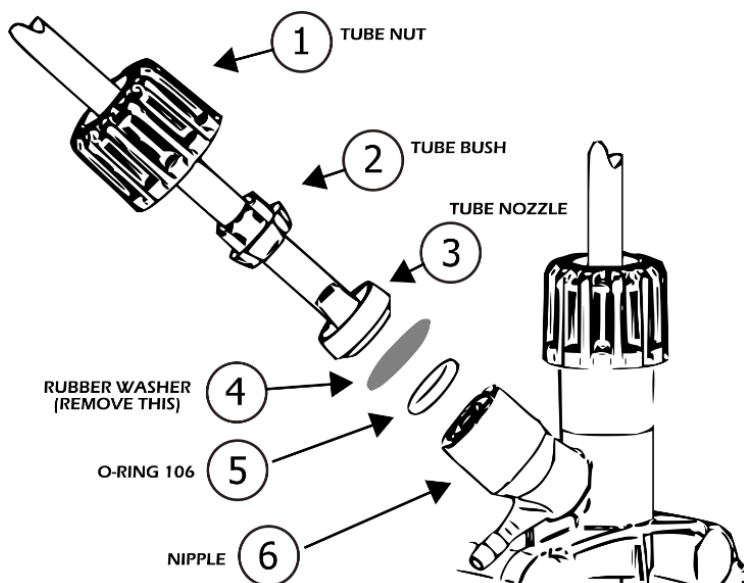
CONFIGURATION

The end of the air bleed hose must be above the liquid surface in the tank, as indicated by the schematic.

1. Dosing Pump
2. Injection Valve
3. Discharge Hose- 4. Air Bleed Hose
- 5. Suction Hose
- 6. Foot Valve
- 7. Power Supply Cable



HOW TO CONNECT SUCTION/DISCHARGE AND AUTO BLEED TUBING



Remove tube nut (item 1)

Insert tube through tube nut, through tube bush (item 2) and connect to the conical part of the tube nozzle (item 3)

Place all components onto nipple (item 6) ensuring that the O-ring (item 5) is seated correctly

Lock down everything with the tube nut. Beware of cross-threading

Warning! Remove pump head transit washers before installing suction/discharge tubing