



AP SERIES MOTOR DRIVEN PISTON PUMP

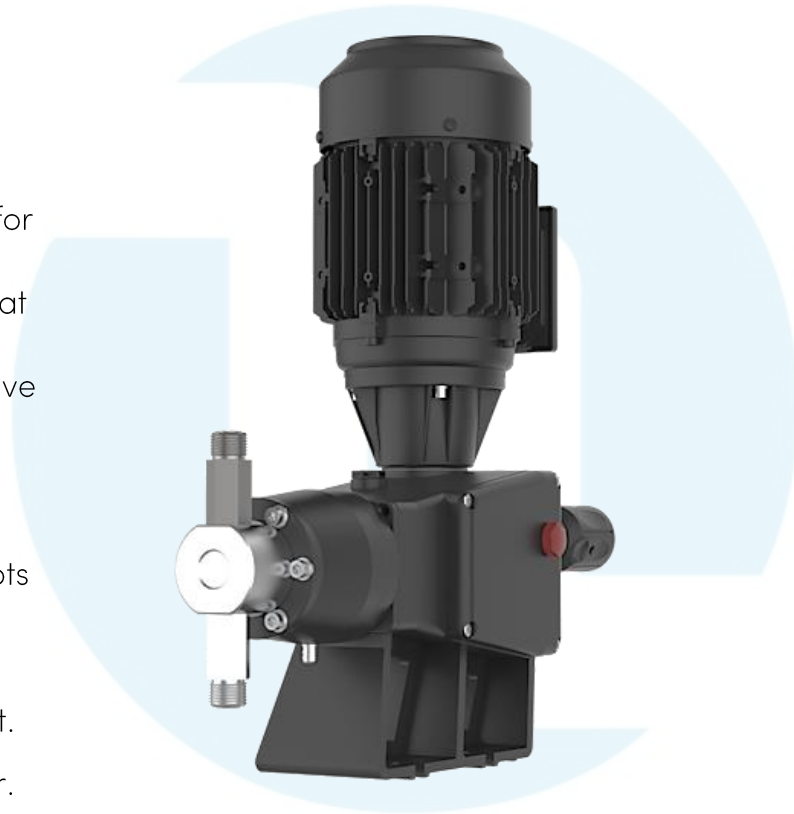
OVERVIEW

The AP series is mechanical piston pump for high pressure applications in chemical dosing. Extensive build options permit great customisability to maximise economy and practicality. Unsuitable for use with abrasive liquids containing solid particles.

All pumps have manual stroke length adjustments as standard. Optional automatic stroke length adjustment accepts a 4 – 20 mA signal.

The pump is encased in grey anodized aluminium finished with an anti-acid paint.

Can be built with ATEX Zone 1 rated motor.



TECHNICAL FEATURES

| | |
|-------------------|---|
| Flow rate: | 11-190 l/h |
| Maximum pressure: | 20 bar (low flow AISI head models) 3.5 bar (High flow rate models) |
| Motor options: | Single phase, three phase, optional self-ventilated motor. Accepts 230-400V input at 50Hz. Single phase motors restricted to 230. |
| Inverter control: | Yes. Expert installation only. Requires self-ventilated motor |
| Pump head: | PVC, AISI or PVDF |
| Seals: | FPM, EPDM & NBR |
| Thread: | Gm/ BSPm ½" & ¾" |
| Valves: | Single ball check valve (AISI only). Double ball check valves (PVC only) |

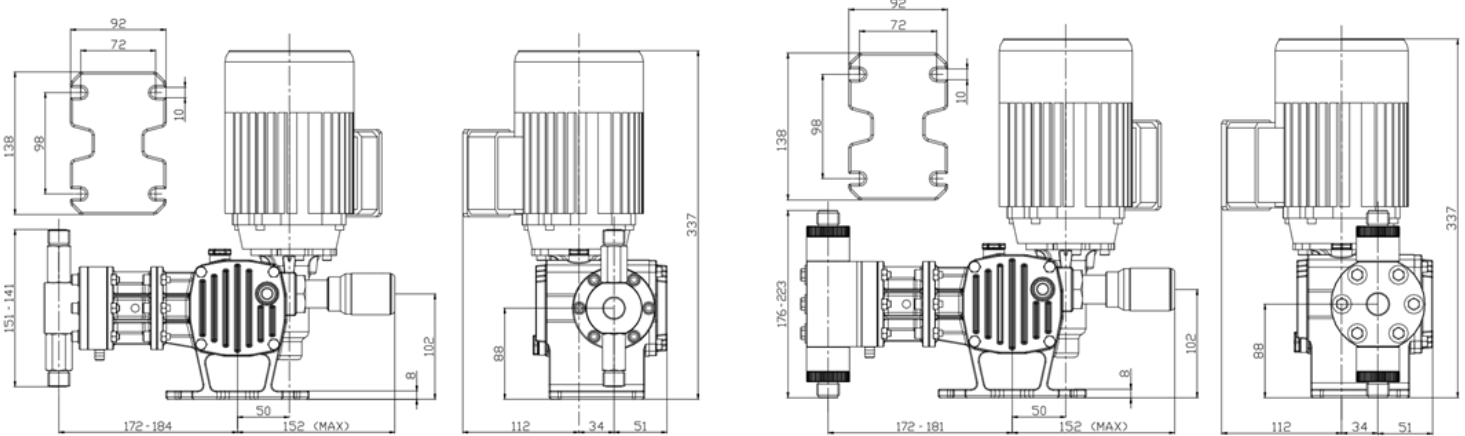
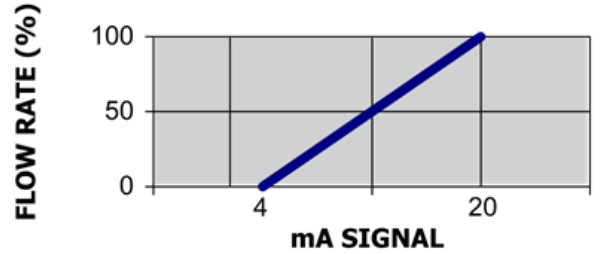


4-20 mA CONTROL OPTIONS

AP series accepts two control options – inverter control or automatic stroke length control. To a 4 – 20 mA signal. The chart to the left displays the control signal response.

The tolerance is +5%. Please note that this requires a separate 24 V AC power supply and is available for models with 9.3, 10, 12.3, 14, 14.5, 15 and 20mm stroke lengths only.

AUTOMATIC FLOW RATE ADJUSTMENT



AP motor pump with AISI head

AP motor pump with PVC/PVDF head

| Code | Flow Rate (l/h) | | Pressure (bar) | | | | Strokes per Minute | | Stroke Length (mm) | Motor Output (Kw) | Valve Size |
|---------------|-----------------|-------|----------------|-------|---------------------|-------|--------------------|-------|--------------------|-------------------|------------|
| | | | AISI Pump Head | | PVC/PVD F Pump Head | | | | | | |
| | 50 Hz | 60 Hz | 50 Hz | 60 Hz | 50 Hz | 60 Hz | 50 Hz | 60 Hz | | | |
| AP0011**00100 | 11 | 13 | 20 | 20 | 10 | 10 | 60 | 72 | 15 | 0.18 | 1/2" GM |
| AP0022**00100 | 22 | - | 20 | - | 10 | - | 120 | - | | | |
| AP0039**00100 | 39 | 47 | 13.5 | 11 | 10 | 10 | 60 | 72 | | | |
| AP0077**00100 | 77 | - | 10 | - | 10 | - | 120 | - | | | 3/4" GM |
| AP0095**00100 | 95 | 114 | 4.5 | 4 | 4.5 | 4 | 60 | 72 | | | |
| AP0190**00100 | 190 | - | 3.5 | - | 3.5 | - | 120 | - | | | |