



## AF SERIES

### Motor-driven mixer

AF Mixers are motor-driven, high-speed mixers for small capacity tanks (up to 500 litres)

#### GENERAL FEATURES

Shaft lengths 600mm, 700mm, 800mm & 1000mm

Major support in PP to guarantee mechanical and chemical protection

Impeller and shaft available in stainless steel 316L or PP covering

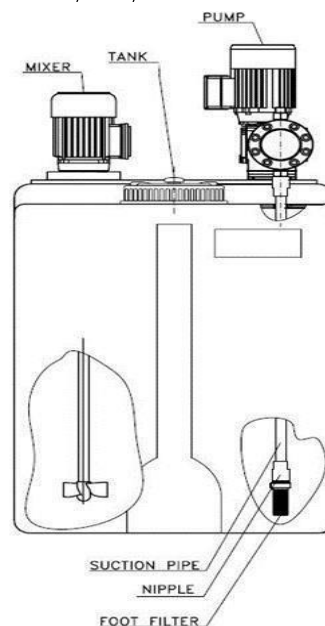
Full flow marine core impeller

Motor - 4 pole 1400rpm 230-400V 50Hz three-phase or single phase 230V



#### TYPICAL INSTALLATION

Composed of: Dosing Pump, Mixer, Polyethylene Tank, PVC Tank Support for Dosing Pump and Mixer, Suction Line.



#### TECHNICAL FEATURES

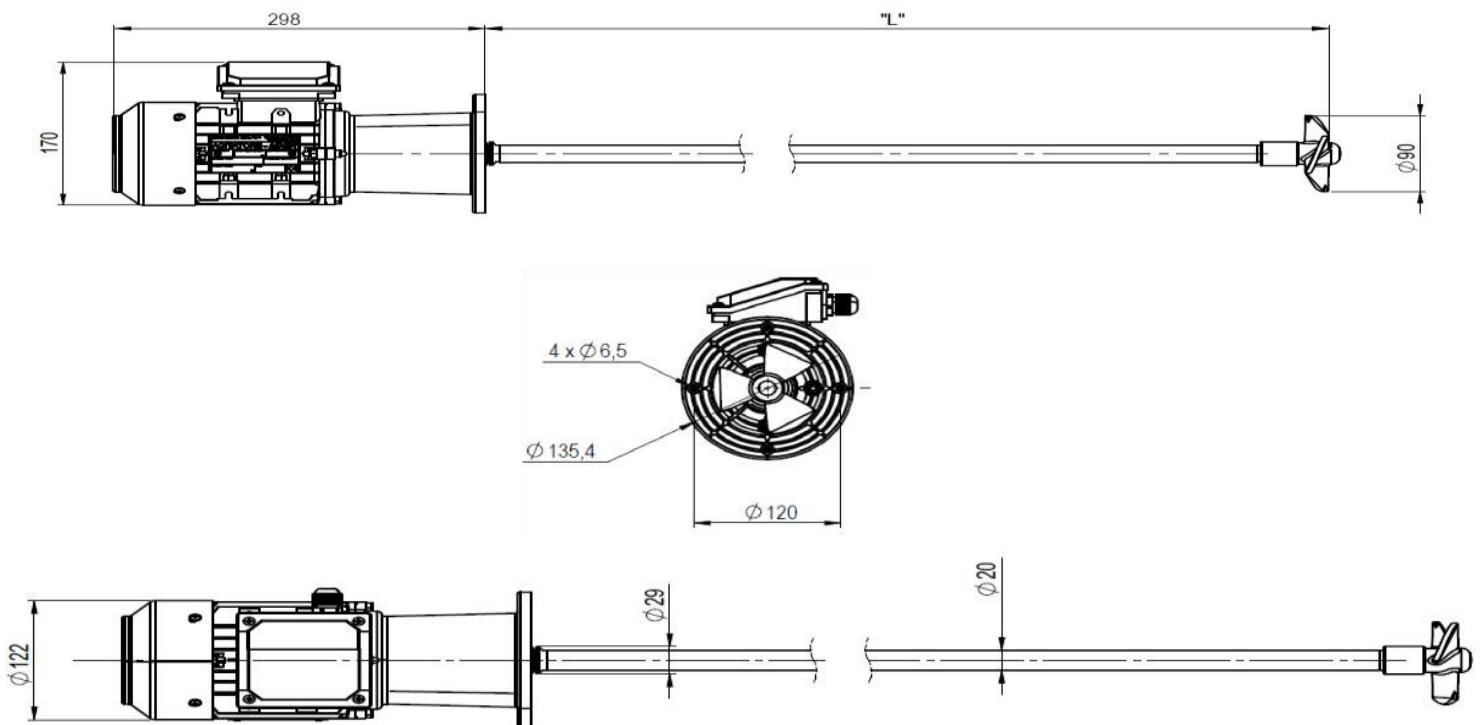
The information within this document may be subject to change without prior notice.



TYPE (PP)	MOTOR POWER	SHAFT LENGTH	POWER SUPPLY	CODE
PP - AF 1-6-4	0.18 kW	600mm	230/400V - 50Hz 3 Phase	EGT22410003
PP - AF 1-6-4	0.18 kW	600mm	230V - 50Hz 1 Phase	EGT224V0003
PP - AF 1-7-4	0.18 kW	700mm	230/400V - 50Hz 3 Phase	EGT22410303
PP - AF 1-7-4	0.18 kW	700mm	230V - 50Hz 1 Phase	EGT224V0303
PP - AF 1-8-4	0.18 kW	800mm	230/400V - 50Hz 3 Phase	EGT22410103
PP - AF 1-8-4	0.18 kW	800mm	230V - 50Hz 1 Phase	EGT224V0103
PP - AF 1-10-4	0.18 kW	1000mm	230/400V - 50Hz 3 Phase	EGT22410403
PP - AF 1-10-4	0.18 kW	1000mm	230V - 50Hz 1 Phase	EGT22420403

TYPE (SS316)	MOTOR POWER	SHAFT LENGTH	POWER SUPPLY	CODE
SS316L - AF 1-6-4	0.18 kW	600mm	230/400V - 50Hz 3 Phase	EGT22410001
SS316L - AF 1-6-4	0.18 kW	600mm	230V - 50Hz 1 Phase	EGT22420001
SS316L - AF 1-8-4	0.18 kW	800mm	230/400V - 50Hz 3 Phase	EGT22410101
SS316L - AF 1-8-4	0.18 kW	800mm	230V - 50Hz 1 Phase	EGT22420101
SS316L - AF 1-10-4	0.18 kW	1000mm	230/400V - 50Hz 3 Phase	EGT22410401
SS316L - AF 1-10-4	0.18 kW	1000mm	230V - 50Hz 1 Phase	EGT22420401

## OVERALL DIMENSIONS (MM)



The information within this document may be subject to change without prior notice.