



## AD SERIES MOTOR DRIVEN DIAPHRAGM PUMP

### OVERVIEW

The AD series is a compact diaphragm pump intended for multipurpose dosing applications. Extensive build options permit great customisability to maximise economy and practicality, as such the AD series are an efficient multiuse design.

All pumps have manual stroke length adjustment as standard. Optional automatic stroke length adjustment accepts a 4-20 mA signal (10mm stroke length models only). The pump is encased in grey anodized aluminium casing finished with an epoxy anti acid paint.



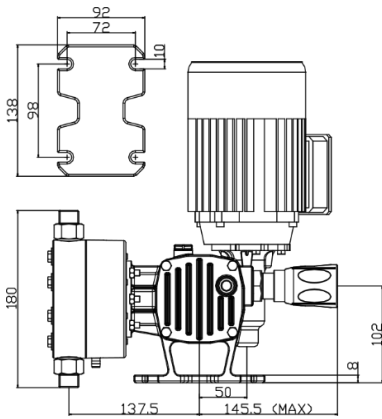
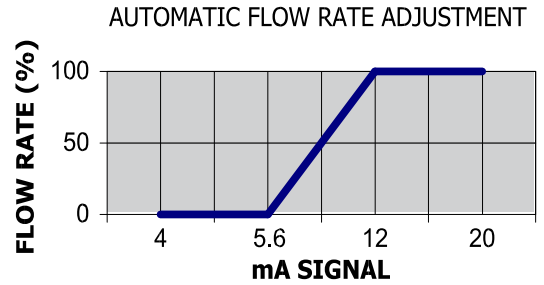
### TECHNICAL FEATURES

Flow rate:	16-123l/h
Maximum pressure:	14 bar (low flow rate models) 6 bar (high flow rate models)
Motor options:	Single phase, three phase, accepts 230-400V input at 50Hz, three phase motors either 230V or 110V
Inverter control:	Yes. Requires self-ventilated motor
Pump head:	PP, PVC, AISI or PVDF
Seals:	FPM, EPDM & NBR
Thread:	Gas male/BSP male 1/2"
Valves:	Single ball check valve

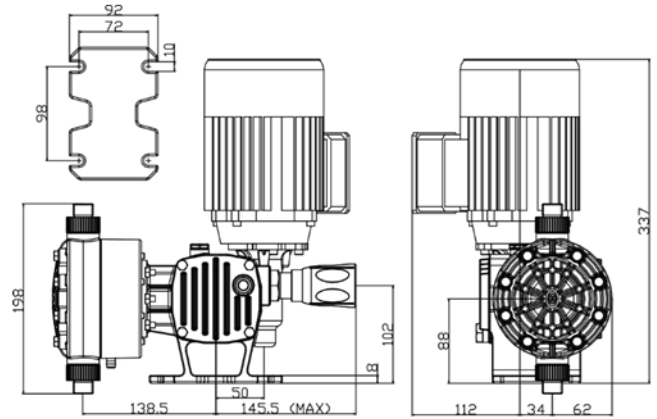


### 4-20 mA CONTROL OPTIONS

AD Series pumps accept 2 options for a 4-20 mA control, inverter control or automatic stroke length control. Automatic stroke length control is confined to a 5.6 – 12mA signal, as illustrated by the chart to the right.



AD pump with PP head



AD pump with AISI head

Code	Flow Rate (l/h)		pressure (Bar)				Strokes per Minute		Stroke Length (mm)	Motor Output (Kw)	Valve Size
			AISI Pump Head		PP/PVC Pump Head						
	50 Hz	60 Hz	50 Hz	60 Hz	50 Hz	60 Hz	50 Hz	60 Hz			
AD0016**00100	16	19	14	14	14	14	60	72	4	0.18	1/2"GM (3/4" valve builds available)
AD0033**00100	33	40	14	12	14	12	120	144	4		
AD0030**00100	30	36	10	10	10	10	60	72	4		
AD0060**00100	60	72	10	10	10	10	120	144	4		
AD0061**00100	61	73	7	6.5	7	6.5	60	72	4		
AD0123**00100	123	148	6	5	6	5	120	144	4		