



## DLX MULTIFLOW MA

Analogue dosing pump with selection of flow-rate/backpressure and manual flow rate adjustment. The DLX MultiFlow MA is an electromagnetic pump with constant flow rate, manually adjustable via a potentiometer. Desired Max flow rate/working pressure can be selected by the user.

### GENERAL FEATURES

Manual adjustment of flow rate

Regulation range: 0-100%

Level probe input

Acid resistant plastic box

IP65 protection degree

Max Flow rate: 50 l/h; Max back pressure: 16 bar

Wall or horizontal basement mounting

Standard pump head: in PVDF (PP on request), diaphragm in PTFE, seats in FPM, ceramic ball valves.

Standard power supply: 220-240V\*\*

Models selectable from the user

CE certification

*\* further configurations available on request*

*\*\* other power supplies available on request*



Model A			Model B			Model C		
l/h	bar	pulses/min	l/h	bar	pulses/min	l/h	bar	pulses/min
2	16	11	30	3	214	8	7	150
5	12	146	40	1	240	10	5	170
8	10	222	50	0	300	20	2	250



### Installation kit PVDF-FPM

DLX MultiFlow pumps, PVDF pump head version, are supplied with standard PVDF-FPM installation kit: PE delivery tube, PVC CRYSTAL suction tube, PVDF foot filter, PVDF injection valve.

Code	Description
PMF014205E	Multiflow-A MA 8-10 240V PVDF/FPM/Cer.
PMF014195E	Multiflow-B MA 50-0 240V PVDF/FPM/Cer.
PMF014185E	Multiflow-C MA 20-2 240V PVDF/FPM/Cer.

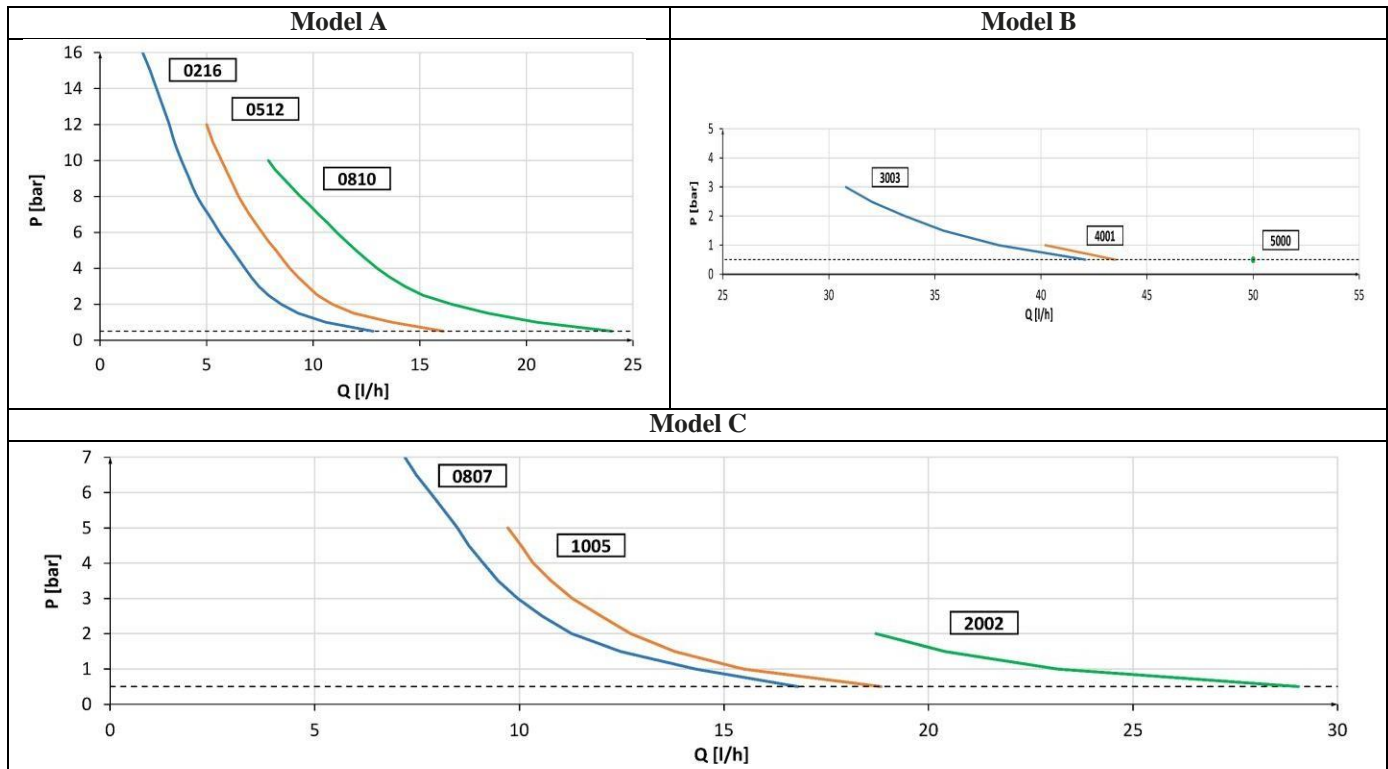
Code	Description
PMF014205G	Multiflow-A MA 8-10 240V PVDF/EPDM/Cer.
PMF014195G	Multiflow-B MA 50-0 240V PVDF/EPDM/Cer.
PMF014185G	Multiflow-C MA 20-2 240V PVDF/EPDM/Cer.



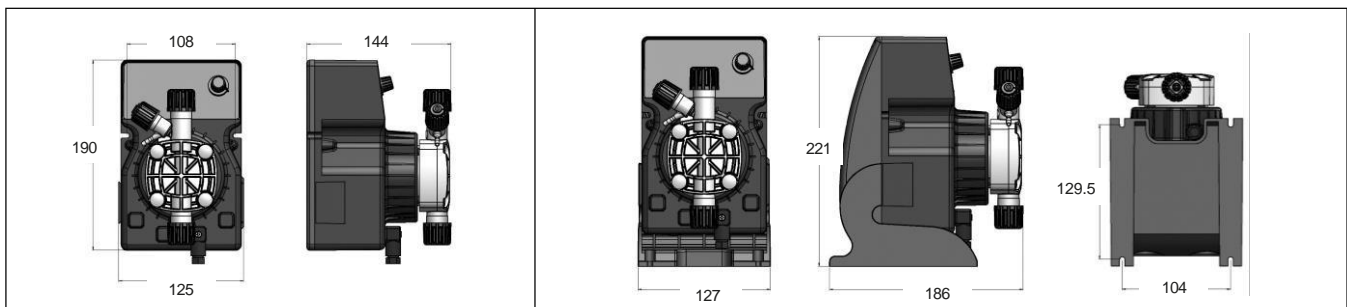
## TECHNICAL FEATURES

Model	Max Flow Rate (l/h)	Max Pressure (Bar)	Max Frequency (strokes/min)	CC/Stroke	Power Supply	Weight (Kg)
A	2	16	11	0.30	230V, 50/60Hz	2.3
	5	12	146	0.57	230V, 50/60Hz	2.3
	8	10	222	0.60	230V, 50/60Hz	2.3
B	30	3	214	2.34	230V, 50/60Hz	2.3
	40	1	240	2.78	230V, 50/60Hz	2.3
	50	0	300	2.78	230V, 50/60Hz	2.3
C	8	7	150	0.89	230V, 50/60Hz	2.3
	10	5	170	0.98	230V, 50/60Hz	2.3
	20	2	250	1.33	230V, 50/60Hz	2.3

## FLOW RATE (L/H) – PRESSURE (BAR)



## OVERALL DIMENSIONS



The information within this document may be subject to change without prior notice.

**Etatron GB Ltd**

Etatron GB Ltd, Newlin Business Park, Exchange Road, Lincoln LN6 3AB

Phone: +44 (0)1522 852397

e-mail: sales@etatron.co.uk – web: www.etatron.co.uk