

eTwin Dosing Pump

Overview

The eTwin is a dual dosing pump with peristaltic and solenoid build options. It is excellent for any dosing application involving pH correction and chlorine dosing. As such it is well suited to swimming pools (including domestic pools) and light commercial applications.

The broad range of measurement options include pH – Rx and pH – Cl and pH – pH.



eTwin pump

Technical Features

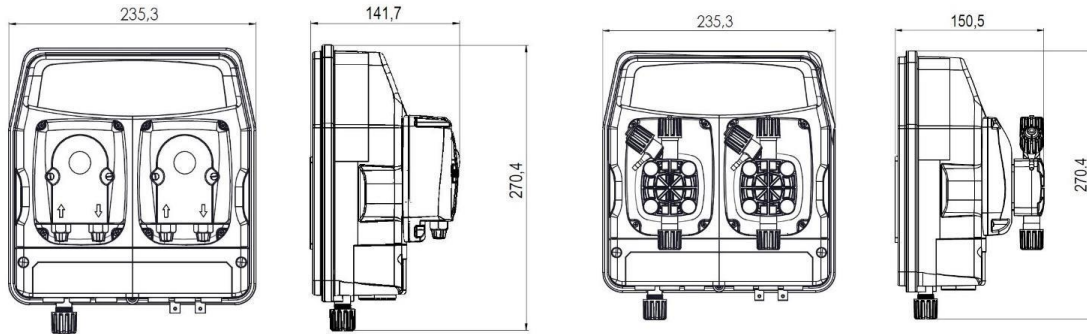
	<u>Peristaltic</u>	<u>Solenoid</u>
• Flow Rate	3 L/H	5 L/H
• Max Pressure	3 Bar	5 Bar
• Pump Head	Santoprene	PVDF
• Power Supply	230 vac (50/60 Hz)	
• Measures	pH – Rx (mV), pH – Cl (PPM), pH – pH	

Control Options

- | | |
|---|--------------------|
| • pH 0 – 14 | • Flow sensor |
| • Rx 0 – 1000 mV | • Level alarms |
| • Free chlorine (0 – 2 PPM, 0 – 20 PPM) | • Overdosing alarm |
| • 4 – 20 mA signal output | • Min/Max alarms |
| • Manual 0 – 100% control | |

eTwin Dosing Pump

Dimensions



Product Codes

Code	Type	Measure	Flow Rate	Pressure	Material
CXB8000101	Peristaltic	pH-Rx	1.5 L/H	1.5 Bar	Santoprene
CXB8001101	Peristaltic	pH-Rx	3 L/H	1.5 Bar	Santoprene
CXB8000201	Peristaltic	Cl-pH	1.5 L/H	1.5 Bar	Santoprene
CXB8001201	Peristaltic	Cl-pH	3 L/H	1.5 Bar	Santoprene
CXB8010101	Solenoid	pH-Rx	2 L/H	6 Bar	FPM
CXB8011101	Solenoid	pH-Rx	5 L/H	5 Bar	FPM
CXB8010201	Solenoid	Cl-pH	2 L/H	6 Bar	FPM
CXB8011201	Solenoid	Cl-pH	5 L/H	5 Bar	FPM