

# F Series Peristaltic Dosing Pumps

## Overview

The F Series of Peristaltic Pumps feature flow rates from 0.5 L/H to 6 L/H. With the F model operating at a constant flow rate and the F-T model featuring timer settings.

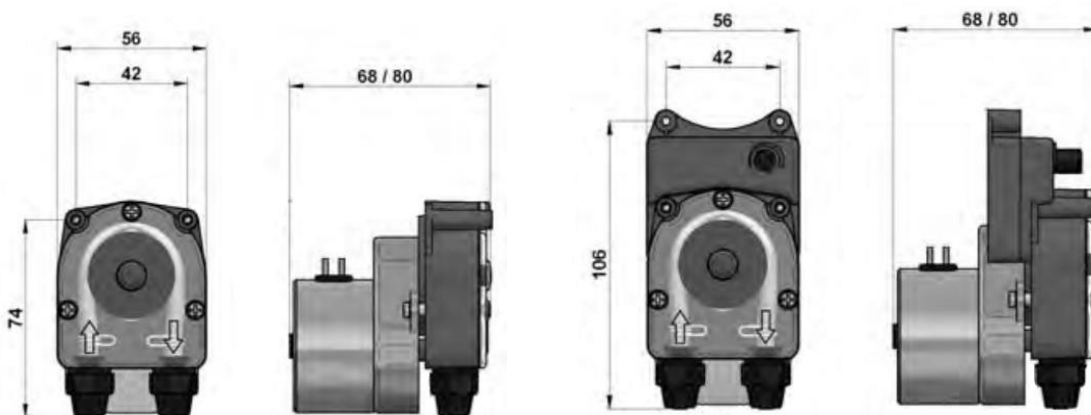


*F peristaltic pump*

## Technical Features

- Flow Rate From 0.5 to 6 L/H
- Maximum Pressure 1 Bar
- Power Supply 230 V standard; 120 vdc, 24 vac, 24 vdc
- Tubing Santoprene or silicone
- Mounting Wall mounted; removable gearbox/motor for panel mounting
- Accessory kit Available with additional accessory kits (includes injection valve, foot filter and suction & discharge)

## Dimensions (in mm)



## F Series Peristaltic Dosing Pumps

### Flow rate / operating pressures

Model	Flow rate (L/H)	Max pressure (Bar)	Power Supply	RPM	Dimensions (in mm)		
					Height	Width	Depth
0001	0.5	1	230v, 50/60 Hz	10	81	56	68
0101	1.1	1	230v, 50/60 Hz	20	81	56	68
			240v, 50/60 Hz				
			110v, 50/60 Hz				
			24v 50/60 Hz				
			24vdc	22	81	56	80
12vdc	21						
0201	2.2	1	230v, 50/60 Hz	48	81	56	68
			240v, 50/60 Hz				
			110v, 50/60 Hz				
			24v 50/60 Hz				
			12/24vdc	50	81	56	80
0301	3.3	1	230v, 50/60 Hz	60	81	56	80
0601	6	1	12/24vdc	108	81	56	87