

Bioclean Control

Overview

The Bioclean series are a range of peristaltic dosing pumps with a digital timer.



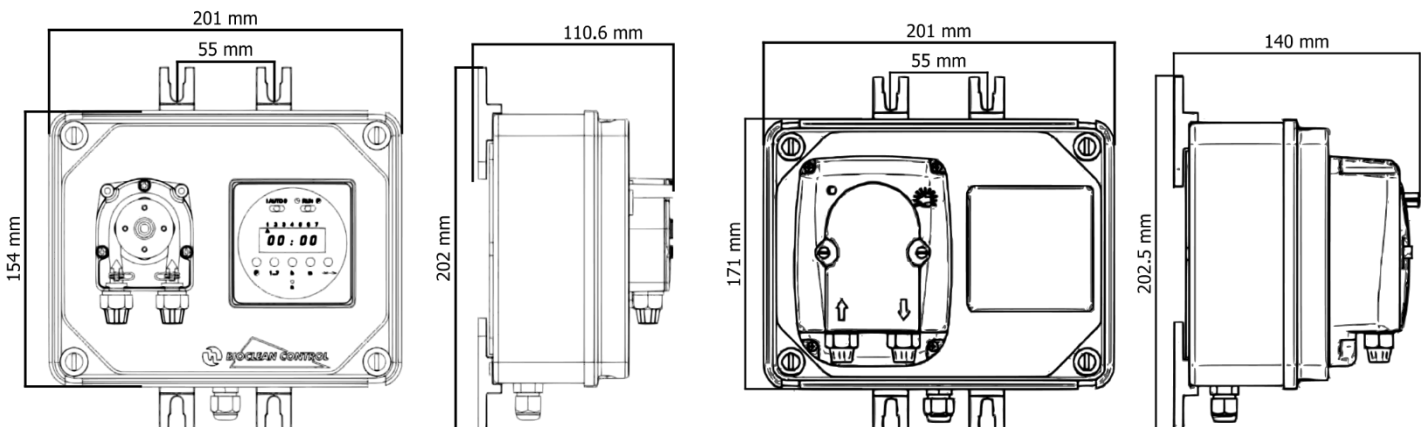
Bioclean control peristaltic Pump

Technical Features

- **Flow Rate** Up to 3 L/H
- **Maximum Pressure** 3 Bar
- **Power Supply** 230 V standard; also available with 120 V or 12 Vdc power supply options
- **Tubing** Available in Santoprene
- **Control** Daily or weekly timer with 8 cycles (1 minute minimum activation time)
- **Accessories** PVC/FPM injection valve and PP/FPM foot filter; 2m each of PVC suction & LDPE discharge tubing

Dimensions (in mm)

Bioclean Control (up to 2 L/H)



Bioclean Control/B (up to 3 L/H)

The information within this document may be subject to change without prior notice

Doc #: **225T01 - 20.0** 1 (1) 18/03/2015

Etatron GB Ltd

Etatron GB Ltd, Newlin Business Park, Exchange Road, Lincoln LN6 3AB

Phone: +44 (0)1522 852397

e-mail: sales@etatron.co.uk – web: www.etatron.co.uk