

## B3-V Peristaltic Dosing Pumps

### Overview

The B series are a range of peristaltic pumps fixed and variable flow rates designed for discontinuous use. Both the B Series and BH Series are perfect for smaller dosing systems that require small amounts of chemical addition in short periods of time.

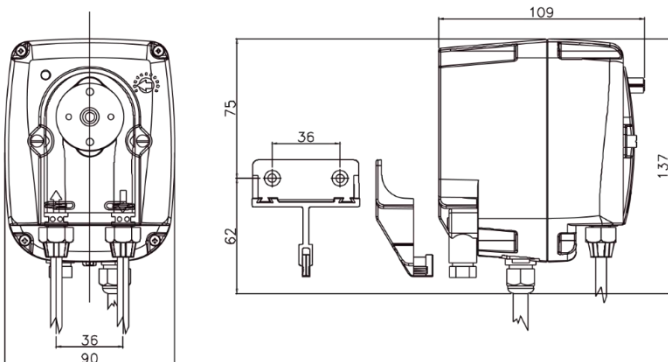


*B3-V Dosing Pump*

### Technical Features

- **Flow Rate** Up to 12 L/H
- **Maximum Pressure** 3 Bar
- **Power Supply** 90 – 260 V standard; available with optional removable power cable
- **Tubing** Available in Santoprene, Silocone, Norprene or tygon
- **Flow Rate Adjustment** 10 – 100%
- **Level Control** Optional (level probe not supplied)

### Dimensions (in mm)



## B3-V Peristaltic Dosing Pumps

### Accessory Kits

#### Standard Kit

Suitable for most water treatment applications; Include:

- PVC/FPM injection Valve
- PP/FPM Foot Filter
- 2m each of PVC suction & LDPE discharge tubing

Includes:

#### “Brightener” Kit

- Nickel plated brass/FPM injection valves
- SS foot filter
- 2m each of PVC suction LDPE discharge tubing

Suitable for use with detergents; include:

#### Detergent Kit

- PP/EPDM injection valve with 90 \_\_\_ hose nipple
- SS foot filter
- 2m each of PVC suction LDPE discharge tubing

### Models

**0103 – 1 l/h 3 bar**

**0403 – 4 l/h 3 bar**

**1201 – 12 l/h 1 bar**