

eSelect M2 Controller

OVERVIEW

The eSelect-M2 series is a family of controllers with two channel measures plus temperature. Measure options are conductivity, pH, Rx and free chlorine.

Using the optional internet connection kit the eSelect can be operated via tablet, iPad, or PC allowing you to perform all the same way as being in front of a real instrument, avoiding the needs for call-outs.



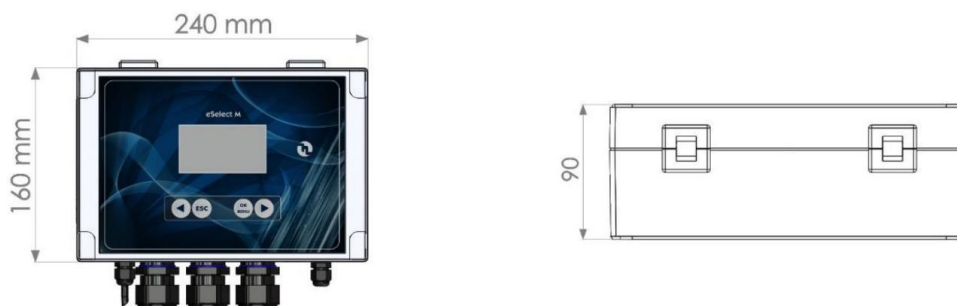
TECHNICAL FEATURES

• Measures	pH and Redox, pH/Rx and Chlorine (ppm), pH/Rx and Conductivity, plus temperature				
• Range	pH 0-14	Redox (mV) -1000...+1400	Chlorine ppm 0-2 / 0-10 / 0- 200	Temperature -20-100 C°	Conductivity 0...20mS (*)
• Display	Graphic backlighted 128x64				
• Level/Relay	3 x 5 A - 230 V, free contact				
• Delay	Programmable with setpoint value to close or open the relay contact				
• Outputs	2 x 4-20 mA, signals programmable from the user 500 Ohm maximum load impedance, with galvanic separation				
• Power Supply	100-250 V at 50/60 Hz, 6 Watts				
• RS485/Ethernet	Modbus protocol with Etacloud software, for the remote control via PC, smartphone or tablet				
• Casing	120x200x90 mm ³ , 5 in ABS, protection degree IP65 Optional DIN mount 43700 (96 x 96 x 126 mm)				
• Alarm Relay	MAX and MIN alarm, overdosing alarm, NO or NC relay				
• Timer	Built in timer manages start/stop of controller				

*Note: Conductivity range depends on probe K factor

eSelect M2 Controller

DIMENSIONS



PRODUCT CODES

eSelect M2 pH-Rx	
Code	Description
CXB5040101	eSelect- M2 pH-Rx 100/240V
CXB5040201	eSelect- M2 pH-Rx 12/24V

eSelect M2 pH/Rx - CI	
Code	Description
CXB5035101	eSelect M2 pH/Rx - CI 100/240V
CXB5035201	eSelect M2 pH/Rx - CI 12/24V

eSelect M2 pH/Rx - CD	
Code	Description
CXB5030101	eSelect M2 pH/Rx - CD 100/240V
CXB5030201	eSelect M2 pH/Rx - CD 12/24V

eSelect M1 Connection Kit	
Code	Description
KST0000101	Internet connection kit for eSelect M controller