

eSelect M1 Controller

OVERVIEW

The eSelect-M1 series is a family of controllers with one channel measure plus temperature. Measure options are conductivity, pH, Rx and free chlorine.

Using the optional internet connection kit the eSelect can be operated via tablet, iPad, or PC allowing you to perform all the same way as being in front of a real instrument, avoiding the needs for call-outs.

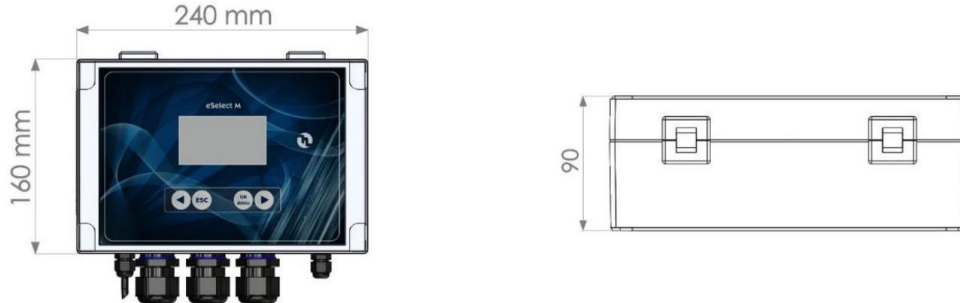


TECHNICAL FEATURES

• Measures	pH or Redox (programmable from the user), Chlorine (ppm), Conductivity and Temperature				
• Range	pH 0-14	Redox (mV) -1000...+1400	Chlorine ppm 0-2 / 0-10 / 0- 200	Temperature (C°) 0-100	Conductivity 0...20mS (*)
• Display	Graphic backlighted 128x64				
• Relay	5 A - 230 V, free contact				
• Delay	Programmable with setpoint value to close or open the relay contact				
• Outputs	n.2 4-20 mA, signals programmable from the user 500 Ohm maximum load impedance, with galvanic separation				
• Power Supply	100-230 V at 50/60 Hz, 6 Watts				
• RS485/Ethernet	Modbus protocol with Etacloud software, for the remote control via PC, smartphone or tablet				
• Casing	120x200x90,5 in ABS, protection degree IP65 Optional DIN Mount 43700 (96 x 96 x 126 mm)				
• Alarm	MAX and MIN alarm, overdosing alarm, NO or NC relay				
• Timer	Built in timer manages start/stop of controller				

eSelect M1 Controller

DIMENSIONS



PRODUCT CODES

eSelect M1 CD (Conductivity)	
Code	Description
CXB5016101	eSelect- M1 CD 100/240V
CXB5016201	eSelect- M1 CD 12/24V

eSelect M1 CD (Cooling Tower Design)	
Code	Description
CXB5018101	eSelect- M1 CL 100/240V
CXB5018201	eSelect- M1 CL 12/24V

eSelect M1 CL (Chlorine)	
Code	Description
CXB5018101	eSelect- M1 CL 100/240V
CXB5018201	eSelect- M1 CL 12/24V

eSelect M1 pH/Rx	
Code	Description
CXB5020101	eSelect - M1 pH/Rx 100-240V
CXB5020201	eSelect - M1 pH/Rx 12-24V

eSelect M1 Connection Kit	
Code	Description
KST 0000101	Internet connection kit for eSelect M controller