

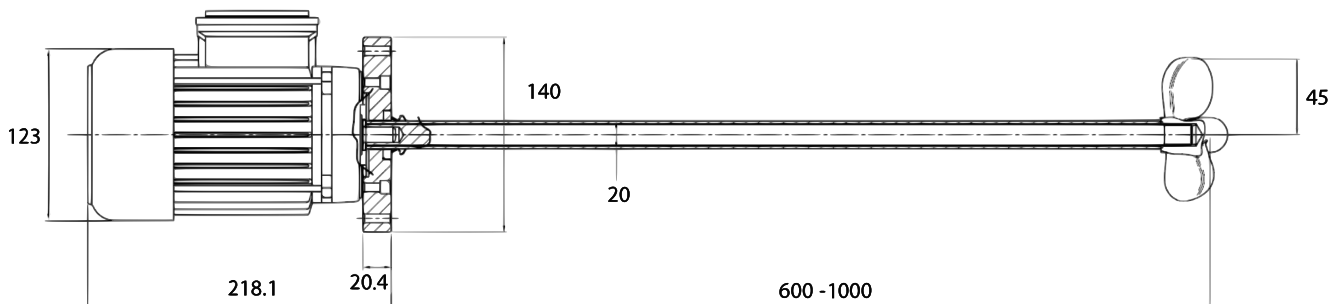
# AF Mixers

## TECHNICAL FEATURES

- High speed mixers for smaller capacity tanks
- 4 pole Motor, 1400 rpm
- Available with either single or three phase motors
- Available with shaft lengths of either 600 to 1000 mm
- Shafts available in PP or AISI 316
- Full cone impeller
- Support flange for tank mounting
- Power options include
  - single phase (230 V, 50 Hz only)
  - three phase (400 V, 50 Hz)



## DIMENSION



**All dimensions in mm**

AF Mixers are designed for use with small capacity tanks (up to 1000 litres) with shaft lengths of 600 to 1000 mm. With either Single or Three phase motors, the AF Mixers are able to be used in a range of dosing systems. These mixers include a support flange for tank mounting allowing for ease of installation.

# AF Mixers

## CODE & CONFIGURATION

MODELS				
<b>AGT124</b>	AF Mixer with 0.18 Kw, 4 Pole Motor			
		POWER SUPPLY OPTIONS		
	<b>1</b>	Three Phase		
	<b>2</b>	Single Phase		
			SHAFT LENGTH OPTIONS	
		<b>0</b>	600 mm	
		<b>1</b>	800 mm	
		<b>3</b>	700 mm	
		<b>4</b>	1000 mm	
			SHAFT MATERIAL OPTIONS	
		<b>01</b>	AISI 316	
		<b>03</b>	Polypropylene	
<b>AGT124</b>	<b>1</b>	<b>1</b>	<b>03</b>	AF Mixer, Three Phase, 800 mm Polypropylene Shaft