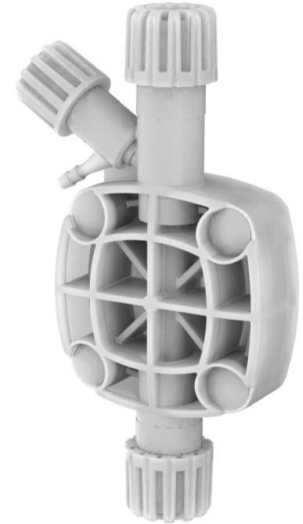


Automatic Air Bleed Pump Head

OVERVIEW

The Etatron Automatic Air Bleed Pump Head automatically bleeds off gas generated from gaseous liquids. This head reduces the scope of the apparatus by 10% - 20% compared to a manual pump head.



TECHNICAL FEATURES

- *Minimum flow rate:* 2 l/h
- *Maximum flow rate:* 15 l/h
- *Maximum pressure:* 15 bar
- *Connections:* 4x6 and 6x8 (for eOne pump)
4x6 (for DLX, BT and PKX pumps)
- *Body:* PVDF
- *Seals:* FPM, TFE/P, EPDM
- *Valves:* Ceramic balls

PRODUCT CODES

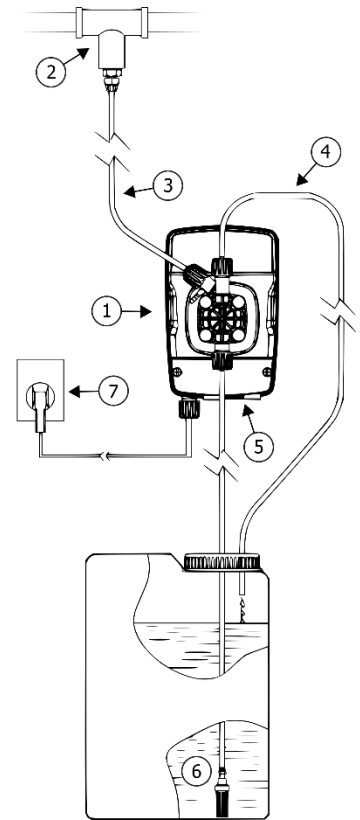
Model				
SCP8	PVDF pump head			
	Type			
	01	Automatic air bleed		
		Dosing Pump		
		54	For eOne pumps	
		68	For DLX, DLXB, PKX and BT pumps	
			Seals	
		51	FPM	
		61	EPDM	
		71	TFE/P	
SCP8	01	54	71	PVDF automatic air bleed pump head for eOne pumps

Automatic Air Bleed Pump Head

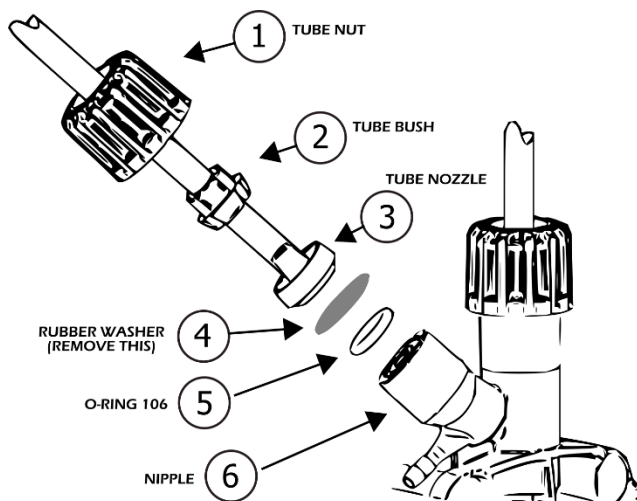
CONFIGURATION

The end of the air bleed hose must be above the liquid surface in the tank as indicated on the schematic.

1. Dosing Pump
2. Injection Valve
3. Discharge Hose
4. Air Bleed Hose
5. Suction Hose
6. Foot Valve
7. Power Supply Cable



HOW TO CONNECT SUCTION/DISCHARGE AND AUTO BLEED TUBING



- Remove the tube nut (item 1).
- Insert tube through tube nut, through the tube bush (item 2) and then connect to the conical part of the tube nozzle (item 3).
- Place all components onto nipple (item 6) ensuring that the O-ring (item 5) is seated correctly.
- Lock down everything with the tube nut. Beware of cross threading.
- **Warning!** Remove pump head transit washers before installing suction/discharge tubing.