

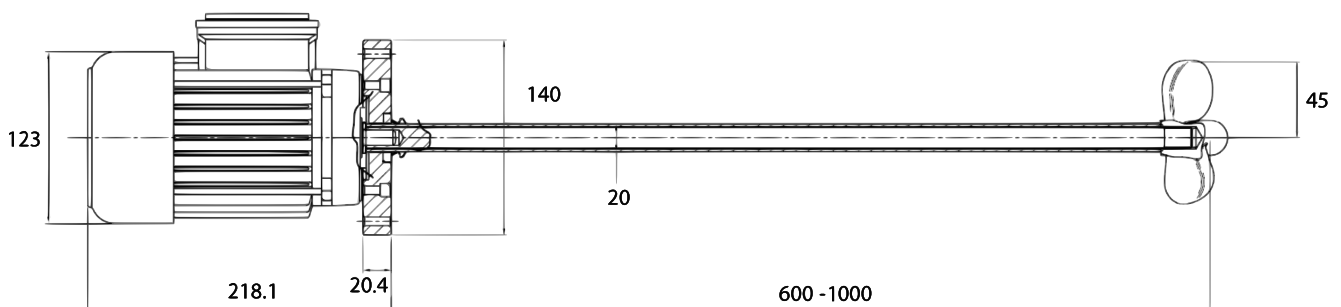
AF Mixers

TECHNICAL FEATURES

- High speed mixers for smaller capacity tanks
- 4 pole Motor, 1400 rpm
- Available with either single or three phase motors
- Available with shaft lengths of either 600 to 1000 mm
- Shafts available in PP or AISI 316
- Marine Full Cone impeller
- Support flange for tank mounting
- Power options include
 - single phase (240 V, 50 Hz)
 - three phase (400 V, 50 Hz)



DIMENSION



All dimensions in mm

AF Mixers are designed for use with small capacity tanks (up to 1000 litres) with shaft lengths of 600 to 1000 mm. With either Single or Three phase motors, the AF Mixers are able to be used in a range of dosing systems. These mixers include a support flange for tank mounting allowing for ease of installation.

AF Mixers

PRODUCT CODES

Model				
AGT124	AF Mixer with marine impellor and 0.18 kW motor			
	Power			
	1	Three-Phase motor 230/400 V		
	4	Single-Phase motor 230 V		
	Shaft Length			
	00	600 mm		
	10	800 mm		
	30	700 mm		
	40	1000 mm		
	Shaft Material			
	1	AISI 316L		
	3	PP		
AGT124	1	00	3	AF Mixer with 600 mm PP shaft and three-phase motor