

# Agitators & Mixers

## MIXER TECHNICAL FEATURES

- **Shaft Lengths:** From 600 to 1500 mm
- **Power Supply Options:** Single or Three Phase
- **Mounting Options:** Mounting flange included as standard

*We can also offer bespoke agitators/mixers with a greater range of options including longer shafts, multiple impellers and additional options for the RPM.*



**AF Mixer**



**AGR-V Mixer**

## MANUAL MIXERS

Shaft lengths from 600 to 800 mm

PVC body

### AF MIXERS

Shaft lengths from 600 to 1000 mm  
0.18 kW Motor Output

Shafts available in PP or SS316  
1400 RPM

### AGV MIXERS

Swift mixers (700, 900 or 1400 RPM models)  
Shafts available in PP, AISI316 or Abcrite  
Rotor diameters from 100 to 170 mm

Shaft lengths from 600 to 1500 mm  
Motor output from 0.18 to 1.5 kW

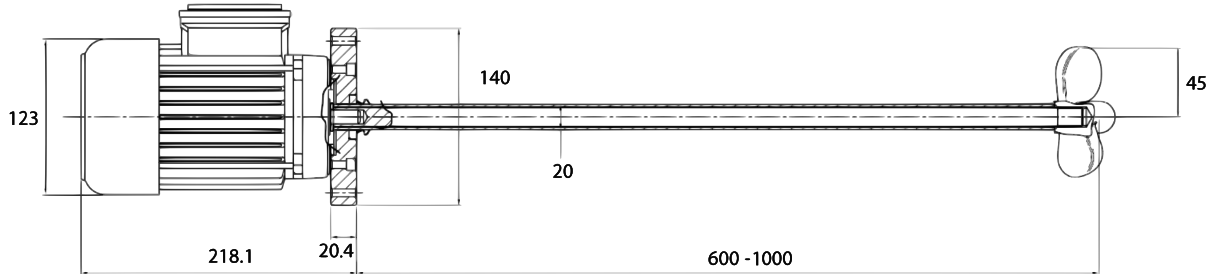
### AGR-V MIXERS

Slow turning mixers (70, 90 or 140 RPM models)  
Shafts available in PP, AISI316 or Abcrite  
Rotor diameters from 200 to 700 mm

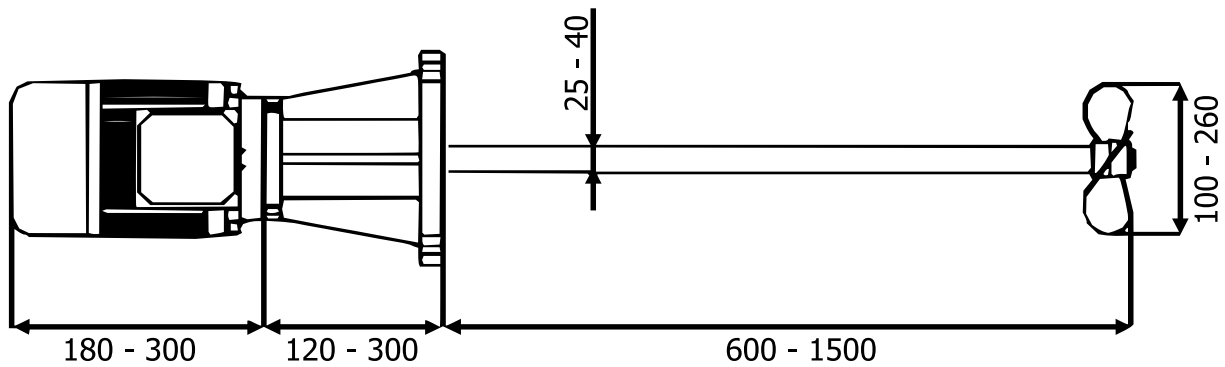
Shaft lengths from 700 to 1500 mm  
Motor output from 0.18 to 1.5 kW  
4 blade impeller (45°)

# Agitators & Mixers

## AF MIXER DIMENSIONS



## AGV MIXER DIMENSIONS



## AGR-V MIXER DIMENSIONS

