

## BP Series Motor Driven Piston Pumps

### PRODUCT INFORMATION

Code	Flow Rate (L/H)		Pressure (Bar)				Strokes per Minute		Stroke Length (mm)	Motor Output (Kw)	Valve Size
			AISI Pump Head		PVC/PVDF Pump Head						
	50 Hz	60 Hz	50 Hz	60 Hz	50 Hz	60 Hz	50 Hz	60 Hz			
BP0014**00000	14	17	25	25	-	-	60	72	20	0.25	1/2" GM
BP0024**00000	24	29	25	25	-	-	103	122	20		
BP0029**00000	29	-	25	-	-	-	120	-	20		
BP0034**00000	34	41	20	20	10	10	60	72	13		
BP0052**00000	52	63	20	20	10	10	60	72	20		
BP0066**00000	66	78	20	18	10	10	103	122	14.5		
BP0088**00000	88	106	20	18	10	10	103	122	20		
BP0103**00000	103	-	18	-	10	-	120	-	20		
BP0083**00000	83	100	12	9.5	10	9.5	60	72	13		
BP0128**00000	128	153	12	9.5	10	9.5	60	72	20		
BP0158**00000	158	188	9	7.5	9	7.5	103	122	14.5		
BP0220**00000	220	260	9	7.5	9	7.5	103	122	20		
BP0256**00000	256	-	7.5	-	7.5	-	120	-	20		
BP0163**00000	163	196	6	5	6	5	60	72	13		
BP0251**00000	251	302	6	5	6	5	60	72	20		
BP0312**00000	312	374	4.5	3.5	4.5	3.5	103	122	14.5		
BP0431**00000	431	512	4.5	3.5	4.5	3.5	103	122	20		
BP0503**00000	503	-	3.5	-	3.5	-	120	-	20		
BP0083**00600	83	100	18	14.5	10	10	60	72	13	0.37	3/4" GM
BP0128**00600	128	153	18	14.5	10	10	60	72	20		
BP0158**00600	158	188	16	13	10	10	103	122	14.5		
BP0220**00600	220	260	16	13	10	10	103	122	20		
BP0256**00600	256	-	13	-	10	-	120	-	20		
BP0163**00600	163	196	9	7.5	9	7.5	60	72	13		
BP0251**00600	251	302	9	7.5	9	7.5	60	72	20		
BP0312**00600	312	374	7	5.5	7	5.5	103	122	14.5		
BP0431**00600	431	512	7	5.5	7	5.5	103	122	20		
BP0503**00600	503	-	6	-	6	-	120	-	20		
BP0251**00700	251	302	11	9.5	10	9.5	60	72	20	0.55	1/2" GM
BP0431**00700	431	512	9	8	9	8	103	122			
BP0503**00700	503	-	8	-	8	-	120	-			
BP0513**00700	513	614	5.5	4.5	5.5	4.6	60	72			
BP0838**00700	838	1004	4	3	4	3	103	122			
BP1027**00700	1027	-	3	-	3	-	120	-			
BP0251**00900	251	302	19	17.5	10	10	60	72			
BP0431**00900	431	512	16.5	14.5	10	10	103	122			
BP0503**00900	503	-	14.5	-	10	-	120	-			
BP0513**00900	513	614	12	10	10	10	60	72			
BP0838**00900	838	1004	8	6.5	8	6.5	103	122			
BP1027**00900	1027	-	6.5	-	6.5	-	120	-			

**Thread:**

Gas male

**Valves:**

Single ball check valve (AISI Valves only)  
 Double ball check valve (PVC Valves only)  
 Ceramic or AISI ball valve options

**Pump Head Configuration:**

PVC, AISI or PVDF with FPM, EPDM & NBR Seals

**Flow Rate Control:**

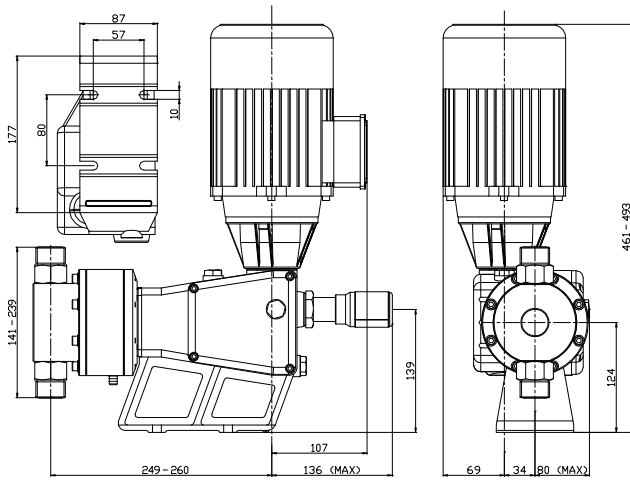
Manual Stroke Length Adjustment as standard  
 Optional 4-20 mA Automatic Stroke Length Adjustment (*models with 9.3, 10, 12.3, 14, 14.5 15 & 20 mm stroke lengths only*)  
 Optional 4-20 mA Inverter Control (requires self-ventilated motor)

**Power Supply Options:**

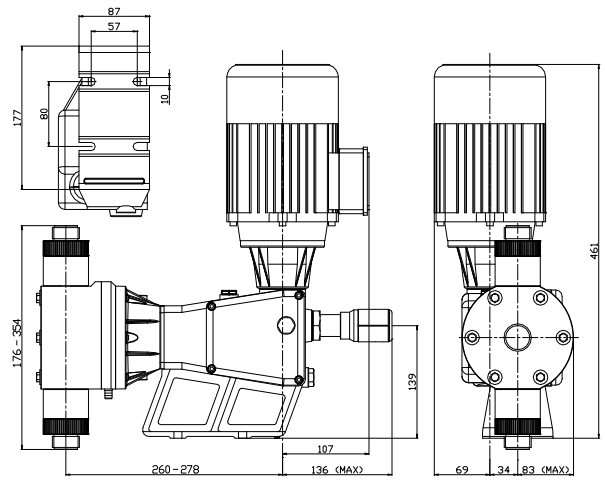
230 – 400 V Three phase 50 Hz  
 230 V Single Phase 50 Hz  
 110 V Single Phase 50 Hz  
 (60 Hz versions are also available)

# BP Series Motor Driven Piston Pumps

## DIMENSIONS (ALL IN MM)



BP Motor Pumps with AISI Heads



BP Motor Pumps with PVC/PVDF Heads

## MOTOR OPTIONS

- Standard Motor**
- Self-ventilated Motor**
- ATEX Rated Motor**

Single or Three Phase available  
 Designed for Inverter Control; Single or Three Phase available  
 Three Phase only; ATEX ratings as follows:  
 ATEX EEx-d 2G (Zone1) IIB T4 IP55 (Gas)  
 ATEX EEx-d 2D (Zone21) IIB T4 IP65 (Dust)

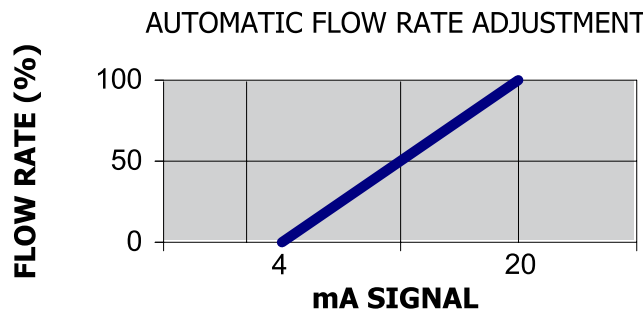
**Supplied with no Motor**

## 4-20 mA CONTROL OPTIONS

The BP Series of Motor Pumps features two options for 4-20 mA Control; inverter control or automatic stroke length control.

The Inverter option requires the pump to be fitted with a Self-Ventilated Motor. The inverter, upon receiving an appropriate 4-20 mA signal from a controller, will activate the motor.

Automatic 4-20 mA stroke length control is only available for motor pumps with certain stroke lengths which are as follows: 9.3 mm, 10 mm, 12.3 mm, 13 mm, 14.5 mm, 15 mm and 20 mm



The chart above shows the operational logic of the automatic 4-20 mA stroke length control (which features a tolerance of ±5% on the flow rate values). Please note that this control mechanism requires a separate, additional 24vAC power supply.