

BD Series Motor Driven Diaphragm Pumps

PRODUCT INFORMATION

Code	Flow Rate (L/H)		Pressure (Bar)				Strokes per Minute		Stroke Length (mm)	Motor Output (Kw)	Valve Size
			AISI Pump Head		PVC/PVDF Pump Head						
	50 Hz	60 Hz	50 Hz	60 Hz	50 Hz	60 Hz	50 Hz	60 Hz			
BD0056**00000	56	67	12	11	10	10	60	72	7.9	0.25	¾" Gm
BD0079**00000	79	95	12	11	10	10	60	72	10		
BD0113**00000	113	136	10	8	10	8	103	122	8.5		
BD0135**00000	135	162	10	8	10	8	103	122	10		
BD0158**00000	158	-	8	-	8	-	120	-	10		
BD0104**00000	104	125	7.5	6	7.5	6	60	72	7.9		
BD0150**00000	150	180	7.5	6	7.5	6	60	72	10		
BD0209**00000	209	251	6	5	6	5	103	122	8.5		
BD0257**00000	257	308	6	5	6	5	103	122	10		
BD0300**00000	300	-	5	-	5	-	120	-	10		
BD0188**00000	188	226	3.5	3	3.5	3	60	72	7.9	0.37	1" Gm
BD0278**00000	278	334	3.5	3	3.5	3	60	72	10		
BD0420**00000	420	504	2.5	2	2.5	2	103	122	8.5		
BD0478**00000	478	574	2.5	2	2.5	2	103	122	10		
BD0535**00000	535	-	2	-	2	-	120	-	10		
BD0188**00600	188	226	4	3.5	4	3.5	60	72	7.9		
BD0278**00600	278	334	4	3.5	4	3.5	60	72	10		
BD0420**00600	420	504	3	2.5	3	2.5	103	122	8.5		
BD0478**00600	478	574	3	2.5	3	2.5	103	122	10		
BD0535**00600	535	-	2.5	-	2.5	-	120	-	10		

Thread:

Gas male

Valves:

Single ball check valve (AISI Valves only)
 Double ball check valve (PVC Valves only)
 Ceramic or AISI ball valve options

Pump Head Configuration:

PVC, AISI or PVDF with FPM, EPDM & NBR Seals

Flow Rate Control:

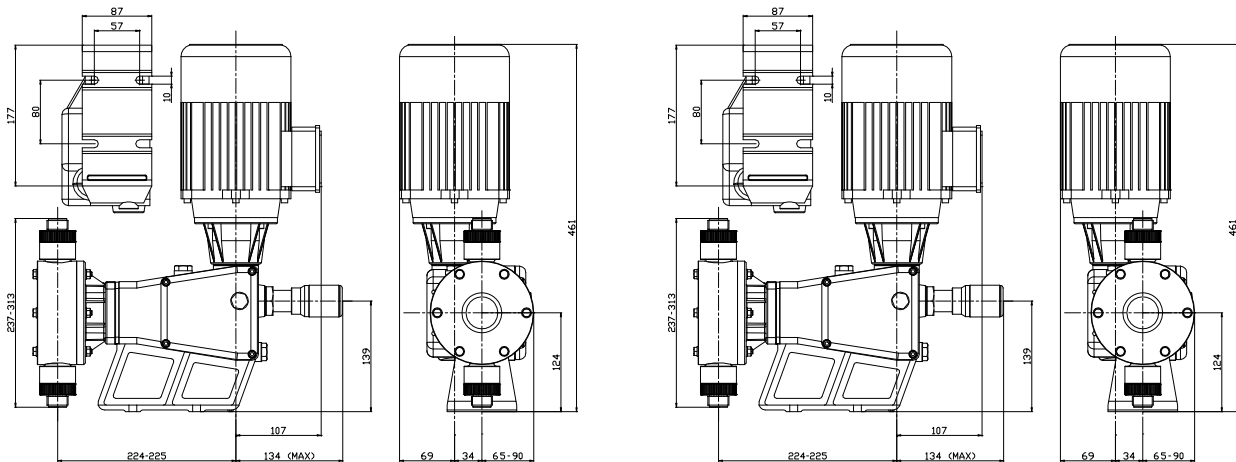
Manual Stroke Length Adjustment as standard
 Optional 4-20 mA Automatic Stroke Length Adjustment (*models with 9.3, 10, 12.3, 14, 14.5 15 & 20 mm stroke lengths only*)
 Optional 4-20 mA Inverter Control (requires self-ventilated motor)

Power Supply Options:

230 – 400 V Three phase 50 Hz
 230 V Single Phase 50 Hz
 110 V Single Phase 50 Hz
 (60 Hz versions are also available)

BD Series Motor Driven Diaphragm Pumps

DIMENSIONS (ALL IN MM)



BD Motor Pumps with AISI Heads

BD Motor Pumps with PVC/PVDF Heads

MOTOR OPTIONS

Standard Motor
Self-ventilated Motor
ATEX Rated Motor

Single or Three Phase available
 Designed for Inverter Control; Single or Three Phase available
 Three Phase only; ATEX ratings as follows:
 ATEX EEx-d 2G (Zone1) IIB T4 IP55 (Gas)
 ATEX EEx-d 2D (Zone21) IIB T4 IP65 (Dust)

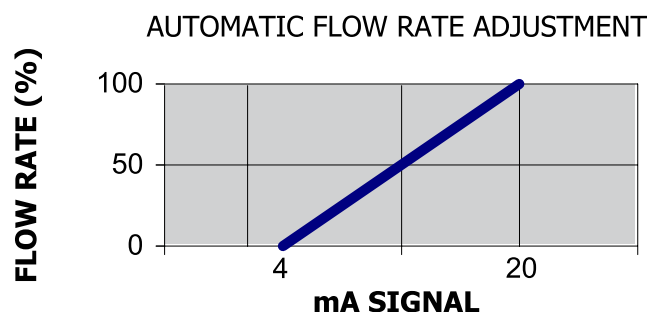
Supplied with no Motor

4-20 mA CONTROL OPTIONS

The BD Series of Motor Pumps features two options for 4-20 mA Control; inverter control or automatic stroke length control.

The Inverter option requires the pump to be fitted with a Self-Ventilated Motor. The inverter, upon receiving an appropriate 4-20 mA signal from a controller, will activate the motor.

Automatic 4-20 mA stroke length control is only available for motor pumps with certain stroke lengths which are as follows: 9.3 mm, 10 mm, 12.3 mm, 13 mm, 14.5 mm, 15 mm and 20 mm



The chart above shows the operational logic of the automatic 4-20 mA stroke length control (which features a tolerance of $\pm 5\%$ on the flow rate values). Please note that this control mechanism requires a separate, additional 24vAC power supply.