

AP Series Motor Driven Piston Pumps

PRODUCT INFORMATION

Code	Flow Rate (L/H)		Pressure (Bar)				Strokes per Minute		Stroke Length (mm)	Motor Output (Kw)	Valve Size
			AISI Pump Head		PVC/PVDF Pump Head						
	50 Hz	60 Hz	50 Hz	60 Hz	50 Hz	60 Hz	50 Hz	60 Hz			
AP0006**00100	6	7	20	20	10	10	60	72	9.3	0.18	1/2" GM
AP0011**00100	11	13	20	20	10	10	60	72	15		
AP0013**00100	13	-	20	-	10	-	120	-	9.3		
AP0018**00100	18	-	20	-	10	-	120	-	12.3		
AP0022**00100	22	-	20	-	10	-	120	-	15		
AP0023**00100	23	28	13.5	11	10	10	60	72	9.3		
AP0039**00100	39	47	13.5	11	10	10	60	72	15		
AP0046**00100	46	-	10	-	10	-	120	-	9.3		
AP0064**00100	64	-	10	-	10	-	120	-	12.3		
AP0077**00100	77	-	10	-	10	-	120	-	15		
AP0058**00100	58	70	4.5	4	4.5	4	60	72	9.3		3/4" GM
AP0095**00100	95	114	4.5	4	4.5	4	60	72	15		
AP0116**00100	116	-	3.5	-	3.5	-	120	-	9.3		
AP0157**00100	157	-	3.5	-	3.5	-	120	-	12.3		
AP0190**00100	190	-	3.5	-	3.5	-	120	-	15		

Thread:

Gas male

Valves:

Single ball check valve (AISI Valves only)

Double ball check valve (PVC Valves only)

Pump Head Configuration:

PVC, AISI or PVDF with FPM, EPDM & NBR Seals

Flow Rate Control:

Manual Stroke Length Adjustment as standard

Optional 4-20 mA Automatic Stroke Length Adjustment (*models with 9.3, 10, 12.3, 14, 14.5 15 & 20 mm stroke lengths only*)

Optional 4-20 mA Inverter Control (requires self-ventilated motor)

Power Supply Options:

230 – 400 V Three phase 50 Hz

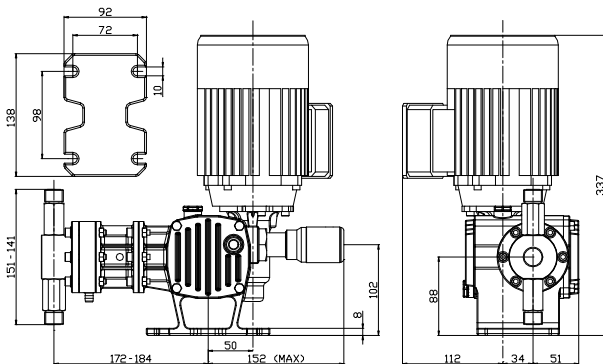
230 V Single Phase 50 Hz

110 V Single Phase 50 Hz

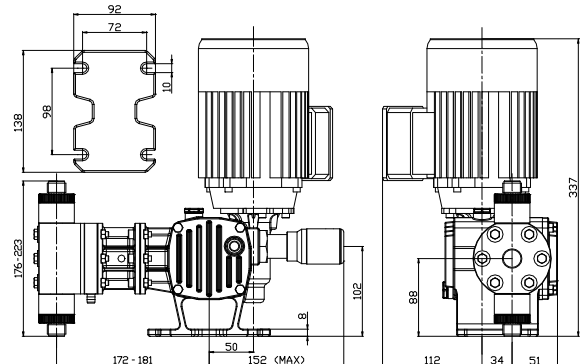
(60 Hz versions are also available)

AP Series Motor Driven Piston Pumps

DIMENSIONS (ALL IN MM)



AP Motor Pumps with AISI Heads



AP Motor Pumps with PVC/PVDF Heads

MOTOR OPTIONS

Standard Motor
Self-ventilated Motor
ATEX Rated Motor

Single or Three Phase available
 Designed for Inverter Control; Single or Three Phase available
 Three Phase only; ATEX ratings as follows:
 ATEX EEx-d 2G (Zone1) IIB T4 IP55 (Gas)
 ATEX EEx-d 2D (Zone21) IIB T4 IP65 (Dust)

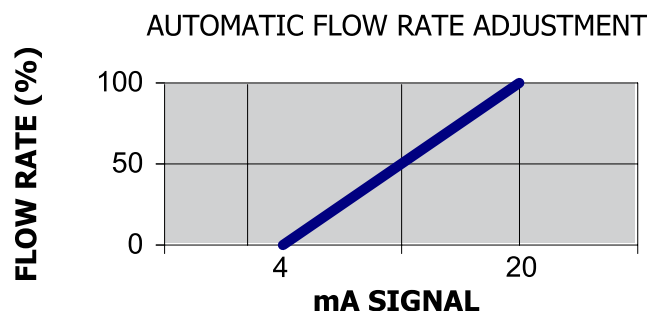
Supplied with no Motor

4-20 mA CONTROL OPTIONS

The AP Series of Motor Pumps features two options for 4-20 mA Control; inverter control or automatic stroke length control.

The Inverter option requires the pump to be fitted with a Self-Ventilated Motor. The inverter, upon receiving an appropriate 4-20 mA signal from a controller, will activate the motor.

Automatic 4-20 mA stroke length control is only available for motor pumps with certain stroke lengths which are as follows: 9.3 mm, 10 mm, 12.3 mm, 13 mm, 14.5 mm, 15 mm and 20 mm



The chart above shows the operational logic of the automatic 4-20 mA stroke length control (which features a tolerance of $\pm 5\%$ on the flow rate values). Please note that this control mechanism requires a separate, additional 24vAC power supply.