

Floating Level Switch

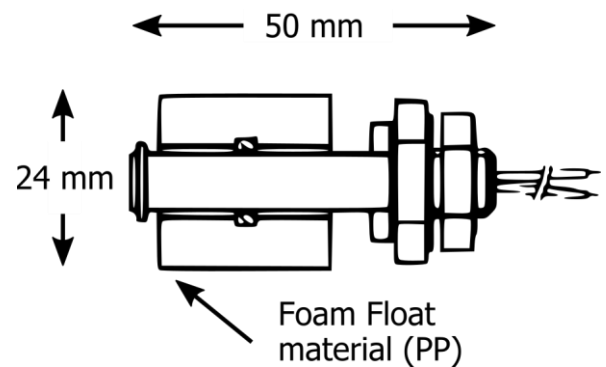
OVERVIEW

The floating level switch contains a magnetically connected reed switch wrapped in a floatation device. When the water level drops below the switch level the magnet is displaced and the circuit opens again. This is used as a signal for a pump.



DIMENSIONS

Dimensions are as indicated and in millimetres.



TECHNICAL FEATURES

- **Materials** Polypropylene (PP) float and stem, PVC lead wire and cable
- **Temperature** 20 ~ 80 °C
- **Pressure** 1 bar
- **Weight** 18g
- **Switching Capacity** Max SPST 50 W
- **Switching Voltage** 200Vdc / 240Vac
- **Switching Current** 0.5 A maximum
- **Carry Current** 1 A
- **Reversible Switch Action** Yes