

AGR-V Mixer

OVERVIEW

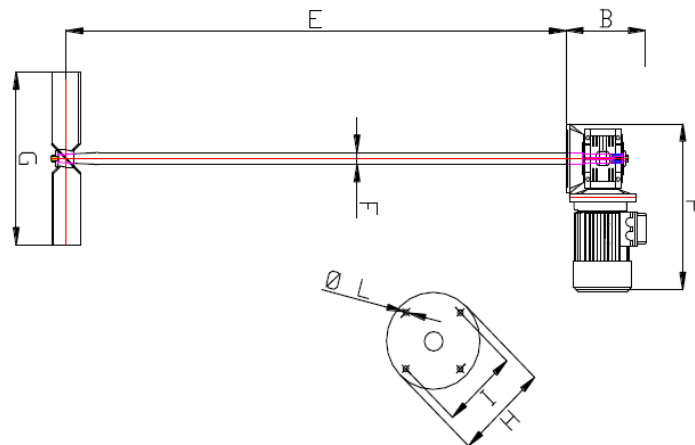
The AGR-V series are slow speed gearbox mixers. The shaft of the mixer is key coupled with the hollow of a worm gear box for efficiency. As such they are designed for mixing flocculents and neutralisers or for flocculant solution preparation. The AGR-V is equipped with a 4 blade 45° impeller with shaft materials ranging from SS304L, SS316L, rubber ebanite and steel core poly propylene.



TECHNICAL FEATURES

- Shaft Length 60 – 150 cm
- Power 400 V 50 Hz 3-phase or 230 V 50 Hz 1-Phase
- Poles 4, 6, or 8 poles
- Motor 0.18 to 1.5 kW
- Impeller 4 blades at 45° or 3 blades at 45° for mixers with 0.18 kW motor

DIMENSIONS



Motor		Dimensions								Mass
kW	RPM	B	E	F	G	H	I	L	P	Kg
0.18	140	140	700	25	200	140	115	4x9	320	17
0.25	90	180	800	30	300	160	130	4x10	360	22
0.37	90	180	1000	30	350	160	130	4x10	360	24
0.55	90	220	1000	35	400	200	165	4x12	420	35
0.75	90	220	1200	35	500	200	165	4x12	420	37
1.1	90	250	1500	35	550	200	165	4x12	500	40
1.5	70	250	1500	40	700	200	165	4x12	520	60

The information within this document may be subject to change without prior notice

Doc #: **225T01 - 20.0** 1 (2) 18/11/2015

Etatron GB Ltd

Etatron GB Ltd, Newlin Business Park, Exchange Road, Lincoln LN6 3AB
 Phone: +44 (0)1522 852397
 e-mail: sales@etatron.co.uk – web: www.etatron.co.uk

AGR-V Mixer

PRODUCT CODE

Model								
AGT	Mixer							
	Type							
	3	AGR-V						
		Power Motor						
	2	0.18 kW						
	3	0.25 kW						
	4	0.37 kW						
	5	0.55 kW						
	6	0.75 kW						
	7	1.1 kW						
	8	1.5 kW						
		Numbers of Poles						
	4	4 poles						
	6	6 poles						
	8	8 poles						
		Power Supply						
	1	Three Phase						
	2	Single Phase (0.18 - 0.25 kW or 0.37 kW motor)						
		Shaft Length						
	0	60 cm						
	1	80 cm						
	2	90 cm						
	3	70 cm						
	4	100 cm						
	5	120 cm						
	6	125 cm						
	7	150 cm						
		Type of Impeller						
	1	2 Blades at 45°						
	2	4 Blades at 45° (3 blades with 0.18 kW motors only)						
		Material						
	0	SS304L						
	1	SS316L						
	3	PP						
	4	Rubber Ebanite						
AGT	3	6	4	1	4	2	0	Example